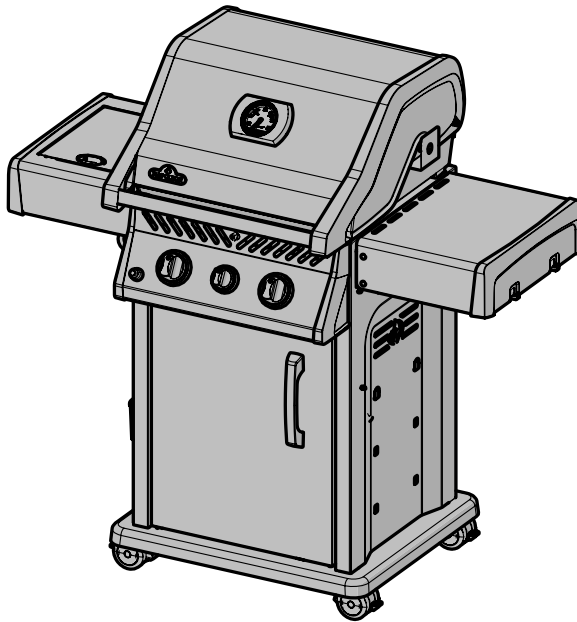


This gas grill must be used only outdoors in a well-ventilated space and must not be used inside a building, garage, screened-in porch, gazebo or any other enclosed area.



**ROGUE 365**

EN

DE  
PG.19

PG.37



**DANGER**

IF YOU SMELL GAS:

- Shut off gas to the appliance.
- Extinguish any open flame.
- Open lid.
- If odor continues, keep away from the appliance and immediately call your gas supplier or fire department.



**WARNING**

Do not try to light this appliance without reading the "LIGHTING" instructions section of this manual.

Do not store or use gasoline or other flammable liquids or vapors in the vicinity of this or any other appliance. An L.P. cylinder not connected for use must not be stored in the vicinity of this or any other appliance. If the information in these instructions is not followed exactly, a fire or explosion may result, causing property damage, personal injury or death.

Adults and especially children should be alerted to the hazards of high surface temperatures. Young children should be supervised near the gas grill.

Notice to Installer: Leave these instructions with the grill owner for future reference.



N415-0440CE-GB-DE AUG 16.18

Wolf Steel Europe BV  
Poppenbouwing 29-31, 4191 NZ Geldermalsen,  
CCI No. 51509970, THE NETHERLANDS  
[info@napoleongrills.nl](mailto:info@napoleongrills.nl)

[www.napoleongrills.com](http://www.napoleongrills.com)

# Napoleon President's 15 Year Limited Warranty



NAPOLEON products are designed with superior components and materials, and are assembled by trained craftsmen who take great pride in their work. The burner and valve assembly are leak tested and test-fired at a quality test station. This grill has been thoroughly inspected by a qualified technician before packaging and shipping to ensure that you, the customer, receive the quality product you expect from NAPOLEON.

NAPOLEON warrants that components in your new NAPOLEON product will be free from defects in material and workmanship from the date of purchase, for the following period:

Aluminum castings / stainless steel base .....	<b>15 years</b>
Stainless steel lid .....	<b>15 years</b>
Porcelain enamel lid .....	<b>15 years</b>
Stainless steel cooking grids .....	<b>15 years</b>
Stainless steel tube burners .....	<b>10 years full coverage, plus 50% off until the 15th year</b>
Stainless steel sear plates .....	<b>5 years full coverage, plus 50% off until the 15th year</b>
Porcelain-enameled cast iron cooking grids .....	<b>5 years full coverage, plus 50% off until the 15th year</b>
Ceramic infrared burners (excluding screen) .....	<b>5 years full coverage, plus 50% off until the 15th year</b>
All other parts .....	<b>2 years</b>

#### \*Conditions and Limitations

This Limited Warranty creates a warranty period as specified in the aforementioned table, for any product purchased through an authorized NAPOLEON dealer, and entitles the original purchaser to the specified coverage in respect of any component replaced within the warranty period, either by NAPOLEON or an authorized NAPOLEON dealer, to replace a component of such product that has failed in normal private use as a result of a manufacturing defect. The "50% off" indicated in the table means the component is made available to the purchaser at a 50% discount off the regular retail price of the component for the period indicated. This Limited Warranty does not cover accessories or bonus items.

For greater certainty, "normal private use" of a product means that the product: has been installed by a licensed, authorized service technician or contractor, in accordance with the installation instructions included with the product and all local and national building and fire codes; has been properly maintained; and has not been used as a communal amenity or in a commercial application.

Similarly, "failure" does not include: over-firing, blow outs caused by environmental conditions such as strong winds or inadequate ventilation, scratches, dents, corrosion, deterioration of painted and plated finishes, discoloration caused by heat, abrasive or chemical cleaners or UV exposure, chipping of porcelain enameled parts, or damages caused by misuse, accident, hail, grease fires, lack of maintenance, hostile environments such as salt or chlorine, alterations, abuse, neglect or parts installed from other manufacturers.

Should deterioration of parts occur to the degree of non-performance (rusted through or burnt through) within the duration of the warranted coverage, a replacement part will be provided. The replacement component is the sole responsibility of NAPOLEON defined by this Limited Warranty; in no event will NAPOLEON be responsible for installation, labor or any other costs or expenses related to the re-installation of a warranted part, for any incidental, consequential, or indirect damages or for any transportation charges, labor costs or export duties.

This Limited Warranty is provided in addition to any rights afforded to you by local laws. Accordingly, this Limited Warranty imposes no obligation upon NAPOLEON to keep parts in stock. Based on the availability of parts, NAPOLEON may at its discretion discharge all obligations by providing a customer a prorated credit towards a new product. After the first year, with respect to this Limited Warranty NAPOLEON may, at its discretion, fully discharge all obligations with respect to this warranty by refunding to the original warranted purchaser the wholesale price of any warranted but defective part(s).

The bill of sale or copy will be required together with a serial number and a model number when making any warranty claims from NAPOLEON. NAPOLEON reserves the right to have its representative inspect any product or part prior to honoring any warranty claim. You must contact NAPOLEON Customer Service or an authorized NAPOLEON dealer to obtain the benefit of the warranty coverage.



napoleongrills.com

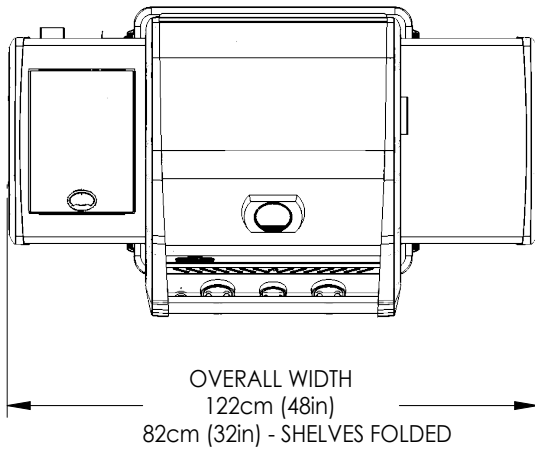


**WARNING!** Failure to follow these instructions could result in property damage, personal injury or death. Read and follow all warnings and instructions in this manual prior to operating grill.

## Safe Operating Practices

- This gas grill must be assembled exactly according to the instructions in the manual. If the grill was store assembled, you must review the assembly instructions to confirm correct assembly and perform the required leak tests before operating the grill.
- Read the entire instruction manual before operating the gas grill.
- Under no circumstance should this gas grill be modified.
- Follow lighting instructions carefully when operating grill.
- Gas must be turned off at the propane cylinder when the gas grill is not in use.
- Keep children and pets away from hot grill, DO NOT allow children to climb inside cabinet.
- Children should be supervised to ensure that they do not play with the appliance.
- This appliance is not intended for use by persons (including children) with reduced physical, sensory or mental capabilities, or lack of experience and knowledge, unless they have been given supervision or instruction concerning use of the appliance by a person responsible for their safety.
- Do not leave the grill unattended while in use.
- Do not move grill when hot or operating.
- This grill is for household use only.
- This gas grill must not be installed in or on recreational vehicles and/or boats.
- This gas grill must only be stored outdoors in a well-ventilated area and must not be used inside a building, garage, screened -in porch or any other enclosed area.
- Maintain proper clearance to combustibles 460mm (18") to rear of unit 180mm (7") to sides. Additional clearance is recommended near vinyl siding or panes of glass.
- At all times keep the ventilation openings of the cylinder enclosure free and clear from debris.
- Do not operate unit under any combustible construction.
- Do not locate in windy settings. High winds adversely affect the cooking performance of the gas grill.
- When the gas grill is stored indoors, the propane cylinder must be disconnected from the grill and stored outdoors in a well-ventilated area, disconnected cylinders must not be stored in a building, garage or other enclosed area.
- Inspect the gas line hose before each use. If there is evidence of excessive abrasion or wear, it must be replaced before using the gas grill, with a replacement hose assembly specified by the grill manufacturer.
- Never store a spare LP gas cylinder under or near this grill.
- Never fill the cylinder beyond 80 % full.
- When changing out the gas cylinder, ensure there are no nearby sources of ignition. Do not smoke.
- Leak test all connections before initial use, even if the grill was purchased fully assembled, annually or whenever any gas component has been replaced.
- Never use natural gas in a unit designed for liquid propane gas.
- Never use lighter fluid in a gas grill.
- Use charcoal briquettes only with a Napoleon charcoal tray designed for this unit.
- Burner controls must be off when turning supply cylinder on.
- Do not light burners with lid closed.
- Do not operate rear burner with main burners operating.
- The lid is to be closed during the preheat period.
- Do not route hose underneath drip pan - proper hose clearance to bottom of unit must be maintained.
- Clean grease tray and sear plates regularly to avoid build-up, which may lead to grease fires.
- Remove warming rack before lighting rear burner. The extreme heat will damage the warming rack.
- Ensure sear plates are positioned properly according to sear plate installation instructions.
- Do not use condiment tray to store lighters, matches or any other combustibles.
- Keep gas line away from heated surfaces.
- Keep any electrical supply cord away from water or heated surfaces.
- Inspect infrared burner venturi tube for spider webs and other obstructions periodically. Clean the tubes completely if you find any such obstructions.
- The outdoor cooking gas grill and its individual shutoff valve must be disconnected from the gas supply piping system during any pressure testing of that system at test pressures in excess of 3.5kPa (0.5psi).
- The outdoor cooking gas grill must be isolated from the gas supply piping system by closing its individual manual shutoff valve during any pressure testing of the gas supply piping system at test pressures equal to or less than 3.5 kPa (1/2 psi).

# DIMENSIONS

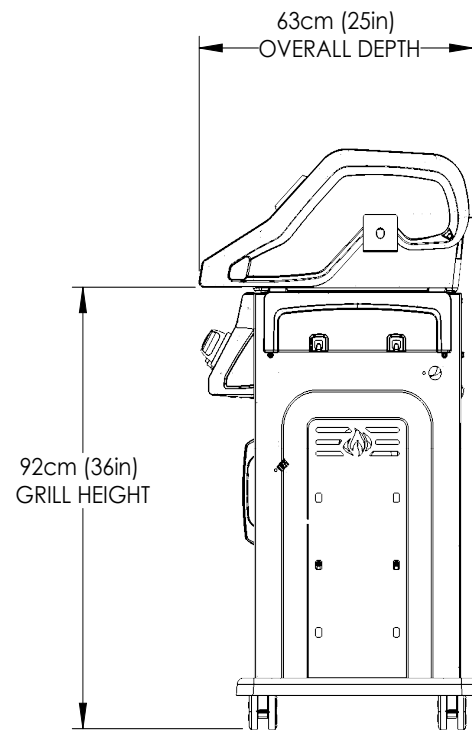
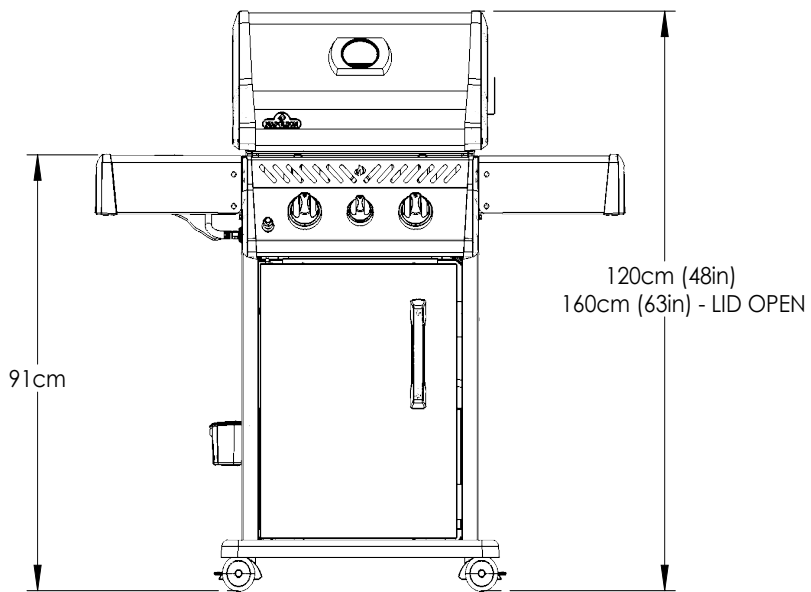


## R365 GRILL

2 X 4.75 KW/H MAIN BURNER  
1 X 3.0 KW/H SIDE BURNER (IF EQUIPPED)

GRILL SIZE: 46cm X 51cm = 2350cm<sup>2</sup> (365in<sup>2</sup>)  
WARMING RACK SIZE: 12cm X 51cm = 610cm<sup>2</sup> (95in<sup>2</sup>)  
IR SIDE BURNER SIZE: 22cm X 25cm = 550cm<sup>2</sup> (85in<sup>2</sup>)

-ALL DIMENSIONS ARE APPROXIMATE-



## Correct Disposal Of This Product



This marking indicates that this product should not be disposed with other household wastes throughout the EU. To prevent possible harm to the environment or human health from uncontrolled waste disposal, recycle it responsibly to promote the sustainable reuse of material resources. To return your used device, please use the return and collection systems or contact the retailer where the product was purchased. They can take this product for environmental safe recycling.

## Gas Cylinder

Use only gas cylinders, which meet national and regional codes. For optimal performance the grill should be operated on propane. The minimum cylinder size for butane units is 13kg, and for propane units is 6kg. Ensure that the cylinder can provide enough fuel to operate the appliance. If in doubt, check with your local gas supplier.

Use caution when handling the cylinder valve.

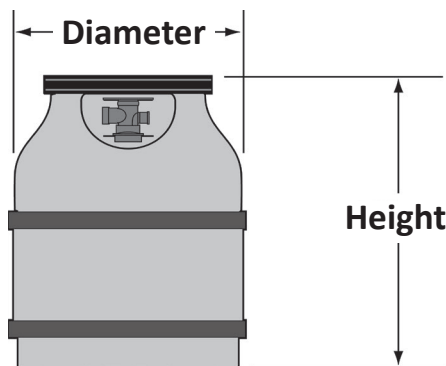
- Never connect a cylinder, which does not meet local codes.
- All cylinders larger than 310mm in diameter or 580mm in height must be placed outside the enclosure on level ground. Cylinders with a diameter of 310mm or less and a height of 580mm or less may be placed inside the enclosure on the right side of the bottom shelf.
- Only cylinders connected to the appliance may be stored in the enclosure, or close to the appliance. Spare cylinders must not be stored in the enclosure, or in close proximity of an operating unit. Cylinders must not be exposed to extreme heat or direct sunlight.



**WARNING!** Ensure that the hose is routed to maintain proper clearance to the underside of the unit. Hoses that contact high temperature surfaces may melt and leak, causing a fire.

**Cylinder Connection:** Ensure that the gas regulator hose is kink free. Remove the cap or plug from the cylinder fuel valve. Tighten regulator to cylinder valve. *Leak test all joints prior to using the barbecue.* A leak test must be performed annually, and each time a cylinder is hooked up, or if a part of the gas system is replaced.

### Example Cylinder



## Gas Hose

- If the hose and regulator are not included by the manufacturer, then only hoses and regulators which meet national and regional codes are to be used.
- Ensure that the hose does not come into contact with grease, other hot drippings, or any hot surfaces on the appliance.
- Check hose regularly. In the case of rips, melting or wear, replace hose before using the appliance.
- The recommended hose length is 0.9m. The hose must not be longer than 1.5m.
- Ensure that the hose is twist and kink free when installed.
- Replace the hose before expiry date printed on the hose.



### WARNING!

- Do not route hose underneath drip pan.
- Do not route hose between space in bottom shelf and back panel.
- Do not route hose over top of back panel.
- Ensure all connections are tightened using two wrenches. Do not use Teflon tape or pipe dope on any hose connection.
- Ensure the hose does not contact any high temperature surfaces, or it may melt and leak causing a fire.
- Do not use enclosure to store excess hose, as there is a greater chance of the hose contacting a hot surface, it may melt and leak causing a fire.

## Technical Data

The following table lists input values for the appliance.

Burner	Orifice Size		(Gross) Heat Input (Total)	Gas Usage (Total)
	I	II	I / II	I / II
Main	#59	#64	9.5 kW	690 g/hr
Side (Infra Red)	0.86 mm	#69	3.0 kW	218 g/hr
Side (Flame)	0.86 mm	#69	3.0 kW	218 g/hr

Certified Gases / Pressures - Check rating plate to ensure that it corresponds with the following list.

Gas Category	'3B/P(30)	'3+(28-30/37)	'3P, '3B/P(37)	'3B/P(50)
Orifice Sizes (see above)	I	I	I	II
Gases / Pressures	Butane 30 mbar Propane 30 mbar	Butane 28-30 mbar Propane 37 mbar	Butane 37 mbar Propane 37 mbar	Butane 50 mbar Propane 50 mbar
Countries	BE, BG, CY, DK, EE, FI, FR, GB, HR, HU, IS, IT, LT, LU, MT, NL, NO, RO, SE, SI, SK, TR	BE, CH, CY, CZ, ES, FR, GB, GR, IE, IT, LT, LU, LV, PT, SK, SI	PL	AT, CH, DE, SK

Do not tamper with or modify regulator. Use only regulators which supply the pressure listed in the table above. For replacement, use only the regulator specified by the manufacturer.

## Leak Testing Instructions



**WARNING!** A leak test must be performed annually and each time a cylinder is hooked up or if a part of the gas system is replaced.



**WARNING!** Never use an open flame to check for gas leaks. Be certain no sparks or open flames are in the area while you check for leaks. Sparks or open flames will result in a fire or explosion, damage to property, serious bodily injury, or death.



**Leak testing:** This must be done before initial use, annually, and whenever any gas components are replaced or serviced. Do not smoke while performing this test, and remove all sources of ignition. See Leak Testing Diagram for areas to check. Turn all burner controls to the off position. Turn gas supply valve on.



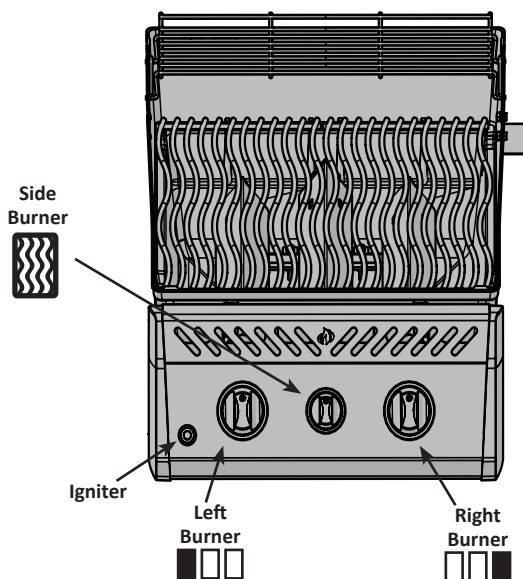
Brush a half-and-half solution of liquid soap and water onto all joints and connections of the regulator, hose, manifolds and valves.



Bubbles will indicate a gas leak. Either tighten the loose joint or have the part replaced with one recommended by the Napoleon Customer Solutions department and have the grill inspected by a certified gas installer.

If the leak cannot be stopped, **immediately shut off the gas supply**, disconnect it, and have the grill inspected by a certified gas installer or dealer. Do not use the grill until the leak has been corrected.

# Lighting Instructions

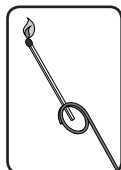


**WARNING!** Open lid.

Off Position



**WARNING!** Ensure all burner controls are in the off position. Slowly turn on the gas supply valve.



Main Burner Lighting	Side Burner Lighting (if equipped)
1. Open grill lid	1. Open burner cover.
2. Push and turn any main burner knob slowly to the high position. If the pilot lights, continue to push down on the control knob until the burner lights and then release.	2. Turn side burner control to high position.
3. If the pilot does not ignite, then immediately turn the control knob back to the 'off' position and repeat step 2 several times.	3. Press and hold igniter button until burner lights, or light by match.
4. If the pilot and burner will not ignite within 5 seconds, turn the control knob to the 'off' position and wait 5 minutes for any excess gas to dissipate. Either repeat steps 2 and 3 or light with a match.	4. If ignition is not immediate, turn burner control off. Wait 5 minutes. Repeat.
5. If lighting the unit with a match, clip the match into the supplied lighting rod. Hold the lit match down through the grill and sear plate while turning the corresponding burner valve to high.	



# Cooking Instructions

**Initial Lighting:** When lit for the first time, the gas grill emits a slight odor. This is a normal temporary condition caused by the “burn-in” of internal paints and lubricants used in the manufacturing process and does not occur again. Simply run the main burners on high for approximately one-half hour.

**Main Burner Use:** When searing foods, we recommend preheating the grill by operating all main burners in the high position with the lid closed for approximately 10 minutes. Food cooked for short periods of time (fish, vegetables) can be grilled with the lid open. Cooking with the lid closed will ensure higher, more even temperatures that can reduce cooking time and cook meat more evenly. Food that has a cooking time longer than 30 minutes, such as roasts, can be cooked indirectly (with the burner lit opposite to the food placement). When cooking very lean meats, such as chicken breasts or lean pork, the grids can be oiled before pre-heating to reduce sticking. Cooking meat with a high degree of fat content can create flare-ups. Either trim the fat or reduce temperatures to inhibit this. Should a flare-up occur, move food away from the flames and reduce the heat. Leave the lid open. See Your All Season Grill cookbook by Napoleon for more detailed instructions.

**Infrared Main Burner Use (If Equipped):** Follow the Infrared Burner Ignition procedures and operate on high for 5 minutes with the lid closed or until the ceramic burners glow red. Place food on the grill(s) and cook according to times listed in the Infrared Grilling Chart. Depending upon your taste, continue cooking over infrared burners on high, medium, or low, turning food frequently, or place food over unlit burners, close lid, and allow the oven temperature to slowly finish cooking your food.



**CAUTION!** Due to the intense heat the infrared burners provide, food left unattended over burners will burn quickly. Keep the lid open when cooking with the infrared burners set to high. The intense heat ensures adequate searing temperatures even with the lid open. This also allows observation of the food to prevent burning.

**Direct Cooking:** Place food to be cooked on the grill directly over the heat. This method is generally used for searing or for foods that do not require prolonged cooking times such as hamburgers, steaks, chicken pieces, or vegetables. The food is first seared to trap-in the juices and flavor, and then the temperature is lowered to finish cooking the food to your preference.

**Indirect Cooking:** With one or more burners operating, place food to be cooked on the grill over a burner that is not operating. The heat circulates around the food, cooking slowly and evenly. Cooking with this method is much the same as cooking in your oven and is generally used for larger cuts of meats such as roasts, chickens or turkeys, but can also be used for cooking foods that are prone to flare-ups or for smoking foods. Lower temperatures and slower cooking times result in tender foods.

**Flame Side Burner Use (if equipped):** The side burner can be used like any stove top burner, for gravies, soups etc. For best performance, the gas grill should be located with the side burner protected from the wind. The recommended pan diameter is 10” (25 cm).



**WARNING!** Never grill food directly on the side burner grate. It is designed for use with pots and pans only.

**WARNING!** Do not close the side burner lid while it is operating or hot.

**WARNING!** Do not use side burner to deep fry foods as cooking with oil can create a dangerous situation.

**Infrared Side Burner Use (If Equipped):** The gas grill should be located so that the side burner is protected from the wind, because the wind will adversely affect its performance. The recommended pan diameter is 10” (25 cm).

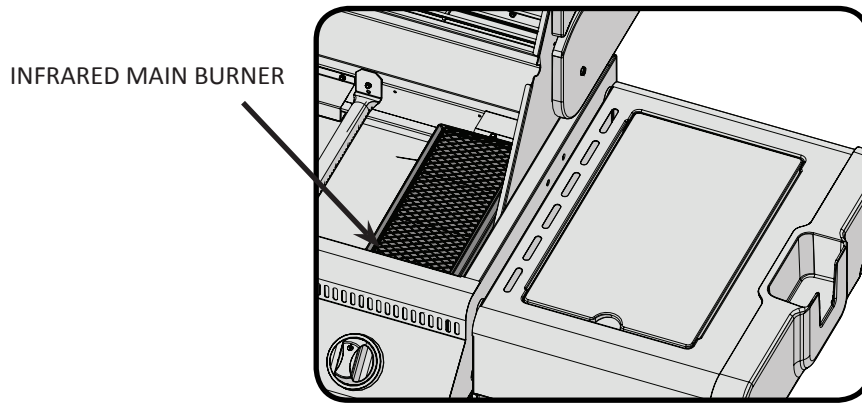


**WARNING!** Do not close the side burner lid while it is operating or hot.

**WARNING!** Do not adjust cooking grid while hot or operating.

**WARNING!** Do not use side burner to deep fry foods as cooking with oil can create a dangerous situation.

1. Follow the infrared side burner lighting instructions and operate on high for 5 minutes with the lid opened or until the ceramic burners glow red.
2. Place food on grills and cook according to times listed in the Infrared Grilling Chart.
3. Depending upon your taste, continue cooking over infrared burners on high, medium or low, turning food frequently, or place food on the main burner area of the grill, close lid, and allow oven temperature to slowly finish cooking your food.

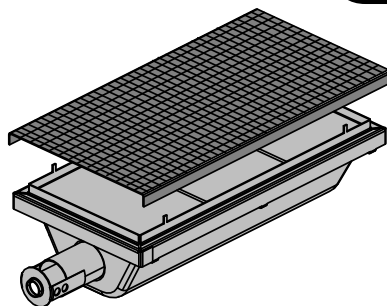
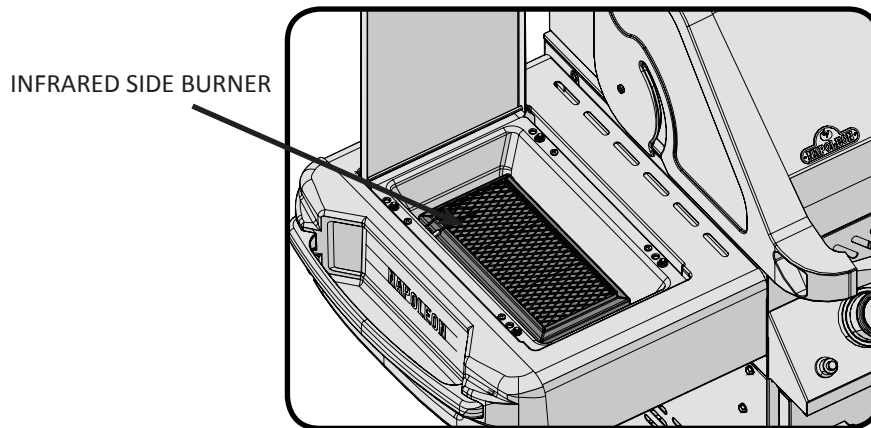


**CAUTION!** Due to the intense heat the infrared burners provide, food left unattended over burners will burn quickly. Keep the lid open when cooking with the infrared burners.

**Protection Of Your Infra Red Burners:** The infrared burners of your grill are designed to provide a long service life. However, there are steps you must take to prevent cracking of their ceramic surfaces, which will cause the burners to malfunction.

- Never let water come in direct contact with your ceramic burner.
- Do not allow hard objects to impact the infra red burner.
- Do not allow cold water (rain, sprinkler, hose, etc.) to come in contact with hot ceramic burners. A large temperature differential can cause cracking of the ceramic tile.
- Keep the lid closed when the side burner is not in use.
- After cooking operate the burner on high for 5 minutes, to burn off any drippings and debris.

**Damage caused by failure to follow these steps is not covered by your grill warranty.**



**Replacement Screen N565-0002**

# Infrared Heat

Most people don't realize that the heat source we are most familiar with, our sun, warms the earth using mainly infrared energy. This is a form of electro-magnetic energy with a wavelength just greater than the red end of the visible light spectrum but less than a radio wave. This energy was discovered in 1800 by Sir William Herschel who dispersed sunlight into its component colors using a prism. He showed that most of the heat in the beam fell into the spectral region just beyond the red end of the spectrum, where no visible light existed. Most materials readily absorb infrared energy in a wide range of wavelengths, causing an increase in its temperature. The same phenomenon causes us to feel warmth when we are exposed to sunlight. The infrared rays from the sun travel through the vacuum of space, through the atmosphere, and penetrate our skin. This causes increased molecular activity in the skin, which creates internal friction and generates heat, allowing us to feel warmth.

Foods cooked over infrared heat sources are heated by the same principle. Charcoal grilling is our most familiar choice for infrared cooking. The glowing briquettes emit infrared energy to the food being cooked with very little drying effect. Any juices or oils that escape from the food drip onto the charcoal and vaporize into smoke giving the food its delicious grilled taste. The Napoleon infrared burner cooks in the same way. In each burner, 10,000 ports – each with its own tiny flame – cause the surface of the ceramic tile to glow red. This glow emits the same type of infrared heat to the food as charcoal, without its hassle or mess. Infrared burners also provide a more consistently heated area that is far easier to regulate than a charcoal fire. For instant searing, the burners can be set to high, yet they can also be turned down for slower cooking. We all know how difficult that is on a charcoal fire. Traditional gas burners heat the food in a different way. The air surrounding the burner is heated by the combustion process and then rises to the food being cooked. This generates lower grill temperatures that are ideal for more delicate cuisine such as seafood or vegetables, whereas Napoleon's infrared burners produce searing heat for juicier, tastier steaks, hamburgers and other meats. For cooking times and tips refer to the Infrared Grilling Chart.

## Infrared Grilling Chart

Food	Control Setting	Cooking Time	Helpful Suggestions
Steak 1 in. (2.54cm) thick	High setting 2 min. each side.  High setting 2 min. each side then medium setting.  High setting 2 min. each side then medium setting.	4 min. – Rare  6 min. – Medium  8 min. – Well done	When selecting meat for grilling, ask for marbled fat distribution. The fat acts as a natural tenderizer while cooking and keeps it moist and juicy.
Hamburger 1/2 in. (1.27cm) thick	High setting 2 min. each side.  High setting 2 1/2 min. each side.  High setting 3 min. each side.	4 min. – Rare  5 min. – Medium  6 min. – Well done	Preparing hamburgers to order is made easier by varying the thickness of your patties. To add an exotic taste to your meat, try adding hickory-flavored woodchips to Napoleon's woodchip smoker.
Chicken pieces	High setting 2 min. each side. then medium-low to low setting.	20-25 min.	The joint connecting the thigh and the leg from the skinless side should be sliced 3/4 of the way though for the meat to lay flatter on the grill. This helps it to cook faster and more evenly. To add a trademark taste to your cooking, try adding mesquite-flavoured woodchips to your Napoleon woodchip smoker, optional accessory.
Pork chops	Medium	6 min. per side	Trim off the excess fat before grilling. Choose thicker chops for more tender results.
Spare ribs	High setting for 5 minutes low to finish	20 min. per side turn often	Choose ribs that are lean and meaty. Grill until meat easily pulls away from the bone.
Lamb chops	High setting for 5 minutes medium to finish	15 min. per side	Trim off the excess fat before grilling. Choose extra thick chops for more tender results.
Hot dogs	Medium - Low	4-6 min.	Select the larger size wieners. Slit the skin lengthwise before grilling.

# Cleaning Instructions



**WARNING!** Always wear protective gloves and safety glasses when servicing your grill.

**WARNING!** To avoid the possibility of burns, maintenance should be done only when the grill is cool. Avoid unprotected contact with hot surfaces. Ensure all burners are turned off. Clean grill in an area where cleaning solutions will not harm decks, lawns, or patios. Do not use oven cleaner to clean any part of this gas grill. Do not use a self-cleaning oven to clean cooking grids or any other parts of the gas grill. Barbecue sauce and salt can be corrosive and will cause rapid deterioration of the gas grill components unless cleaned regularly.

**Note:** Stainless steel tends to oxidize or stain in the presence of chlorides and sulfides, particularly in coastal areas and other harsh environments, such as the warm, highly humid atmosphere around pools and hot tubs. These stains could be perceived as rust, but can be easily removed or prevented. To provide stain prevention and removal, wash all stainless steel and chrome surfaces every 3-4 weeks or as often as required with fresh water and/or stainless steel cleaner.

**Grids And Warming Rack:** The grids and warming rack are best cleaned with a brass wire brush during the pre-heating period. Steel wool can be used for stubborn stains. It is normal that stainless grids (if equipped) will discolor permanently from regular usage due to the high temperature of the cooking surface.

**Cast Iron Cooking Grids:** The cast iron cooking grids supplied with your new grill offer superior heat retention and distribution. By regularly seasoning your grids you are adding a protective coating, which will aid in resisting corrosion and increase your grids non-stick capabilities.

**First Time Use:** Wash the cooking grids by hand with mild dish soap and water to remove any residue from the manufacturing process (never wash in a dish washer). Rinse thoroughly with hot water and dry completely with a soft cloth. This is important to avoid moisture from entering the cast iron.

**Seasoning:** Using a soft cloth, spread VEGETABLE SHORTENING over the entire grid surface ensuring all grooves and corners are covered. Do not use salted fats such as butter or margarine. Pre-heat your grill for 15 minutes, then place the seasoned cooking grids in the grill. Turn the burner control knobs to medium with the lid closed. Allow the cooking grids to heat for approximately one-half hour. Turn all the burners to the "OFF" position and turn the gas off at the source. Let the cooking grids stand until cool. This procedure should be repeated several times throughout the season, although it is not required for daily use (follow daily usage procedure below).

**Daily Usage:** Before pre-heating, and cleaning with a brass wire grill brush, coat the entire top surface of the cooking grids with VEGETABLE SHORTENING. Pre-heat the grill and then brush away any unwanted residue with a brass wire brush.

**Stainless Steel Cooking Grids:** (upgrade kit available - see replacement parts list). Stainless steel cooking grids are durable and corrosion resistant. They require less seasoning and maintenance than cast iron cooking grids. It is recommended that you follow the daily usage procedure listed above although you may find pre-heating and cleaning your grids with a wire brush is sufficient for your grilling needs.

**Control Panel:** The control panel text is printed directly on the stainless steel and with proper maintenance will remain dark and legible. To clean the panel, use only warm soapy water. Never apply abrasive cleaners on any stainless surfaces, especially the printed portion of the control panel or the printing will gradually rub off.

**Infrared Burners:** Because of the high intensity of the infrared burner, most drippings and food particles that fall onto the burner surface are immediately incinerated. However, some debris and residue may remain. To remove this residue after cooking, operate the grill on high for 5-10 minutes. Do not clean the ceramic tile with a wire brush.

**Cleaning Inside The Gas Grill:** Remove the cooking grids. Use a brass wire brush to clean loose debris from the casting sides and underneath the lid. Scrape the sear plates with a putty knife or scraper, and use a wire brush to remove the ash. Remove the sear plates and brush debris from the burners with the brass wire brush. Sweep all debris from inside the gas grill into the drip pan.



**WARNING!** Accumulated grease is a fire hazard.

**Drip Pan:** Clean the drip pan frequently (every 4 – 5 uses or as often as required) to avoid grease buildup. Grease and excess drippings pass through to the drip pan, located beneath the gas grill and accumulate in the disposable grease tray below the drip pan. To access the disposable grease tray or to clean the drip pan, slide the drip pan free of the grill. Never line the drip pan with aluminum foil, sand or any other material as this could prevent the grease from flowing properly. The pan should be scraped out with a putty knife or scraper. Replace the disposable grease tray every 2 – 4 weeks, depending on gas grill usage. For supplies, see your Napoleon Grill dealer.

**Cleaning The Outer Grill Surface:** Do not use abrasive cleaners or steel wool on any painted, porcelain or stainless steel parts of your Napoleon Grill. Doing so will scratch the finish. Exterior grill surfaces should be cleaned with warm soapy water while the metal is still warm to the touch. To clean stainless surfaces, use a stainless steel or a non-abrasive cleaner. Always wipe in the direction of the grain. Over time, stainless steel parts discolor when heated, usually to a golden or brown hue. This discoloration is normal and does not affect the performance of the grill. Porcelain enamel components must be handled with additional care. The baked-on enamel finish is glass-like, and will chip if struck. Touch-up enamel is available from your Napoleon Grill dealer.

## Maintenance Instructions

We recommend this gas grill be thoroughly inspected and serviced annually by a qualified service person.

At all times keep the gas grill area free from combustible materials, gasoline and other flammable vapors and liquids. Do not obstruct the flow of ventilation and combustion air. Keep the cylinder enclosure ventilation openings (located on the cart sides and at the front and back of the bottom shelf) free and clear from debris.



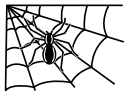
**WARNING!** Always wear protective gloves and safety glasses when cleaning your grill.



**WARNING!** Turn off the gas at the source and disconnect the unit before servicing. To avoid the possibility of burns, maintenance should be done only when the grill is cool. A leak test must be performed annually and whenever any component of the gas train is replaced or gas smell is present.



**Burner:** The burner is made from heavy wall 304 stainless steel, but extreme heat and a corrosive environment can cause surface corrosion to occur. This can be removed with a brass wire brush.



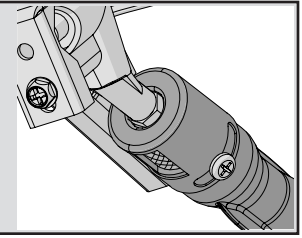
**CAUTION!** Beware of Spiders.

Spiders and insects are attracted to the smell of propane and natural gas. The burner is equipped with an insect screen on the air shutter, which reduces the likelihood of insects building nests inside the burner but does not entirely eliminate the problem. A nest or web can cause the burner to burn with a soft yellow or orange flame or cause a fire (flashback) at the air shutter underneath the control panel. To clean the inside of the burner, it must be removed from the gas grill: Remove the screw (s) that attaches the burner to the back wall. Slide the burner back and up wards to remove. Cleaning: Use a flexible venturi tube brush to clean the inside of the burner. Shake any loose debris from the burner through the gas inlet. Check the burner ports and valve orifices for blockages. Burner ports can close over time due to cooking debris and corrosion, use an opened paperclip or the supplied port maintenance bit to clean them. Drill out blocked ports using this drill bit in a small cordless drill. The ports are easier to clean if the burner is removed from the grill, but it can also be done with the burner installed. Do not flex the drill bit when drilling the ports, as this will cause the drill bit to break. This drill is for burner ports only, not for the brass orifices (jets) which regulate the flow into the burner. Take care not to enlarge the holes. Ensure the insect screen is clean, tight, and free of any lint or other debris.

**Reinstallation:** Reverse the procedure to reinstall the burner. Check that the valve enters the burner when installing. Replace sear plate mount and / or tighten screws to complete reinstallation.



**WARNING!** When reinstalling the burner after cleaning it is very important that the valve/orifice enters the burner tube before lighting your gas grill. If the valve is not inside the burner tube a fire or explosion could occur.



**Protection Of Infrared Burners:** The infrared burners of your grill are designed to provide a long service life, though care must be taken to prevent cracking of their ceramic surfaces. Fractures will cause the burners to malfunction. The following provides a few of the causes of cracks and the steps you can take to avoid them. Damage caused by failure to follow these steps is not covered by your grill warranty.

1. Impact with hard objects - Never allow hard objects to strike the ceramic. Take care when inserting or removing cooking grates and accessories into or from the grill.
2. Contact with water or other liquids - Cold liquids contacting the hot ceramic surfaces can cause them to break. Never throw water into the grill to douse a flame. If the ceramic or interior of a burner becomes wet while not in use, later operation of the burner can create steam, which can produce sufficient pressure to crack the ceramic. Repeated soaking of the ceramic can also cause it to swell and expand. This expansion causes undue pressure on the ceramic that can cause it to crack and crumble.
  - i) Never throw water into the grill to control flare-ups.
  - ii) Do not attempt to operate the infrared burners in open air while raining.
  - iii) If you find standing water in your grill (because of exposure to rainfall, sprinklers, etc.), inspect the ceramic for evidence of possible watersoaking. If the ceramic appears to be wet, remove the burner from the grill. Turn it upside down to drain the excess water and bring indoors to dry thoroughly.
3. Impaired ventilation of hot air from the grill - For the burners to function properly, hot air must have a way to escape the grill. If the hot air is not allowed to escape, the burners can become deprived of oxygen causing them to back-flash. If this occurs repeatedly, the ceramic could crack. Never cover more than 75% of the cooking surface with solid metal (i.e., griddle or large pan).
4. Incorrect cleaning - Do not clean the ceramic tile with a wire brush. If debris is collecting on your burner, light the burner and operate on high for 5 minutes with the lid open, allowing debris to burn off.



**WARNING! Hose:** Check for abrasions, melting, cuts, and cracks in the hose. If any of these conditions exist, do not use the gas grill. Have the part replaced by your Napoleon Grill dealer or qualified gas installer.

**Aluminum Castings:** Clean castings periodically with warm soapy water. Aluminum will not rust, but high temperatures and weathering can cause oxidation to occur on aluminum surfaces. This appears as white spots on the castings. To refinish these areas, clean first and sand lightly with fine sandpaper. Wipe the surface to remove any residue and paint with high temperature barbecue paint. Protect surrounding areas from over-spray. Follow the manufacturer's directions for curing.

# Troubleshooting

Problem	Possible Causes	Solution
Low heat / Low flame when valve turned to high.	For propane - improper lighting procedure.  Improper preheating.	Ensure lighting procedure is followed carefully. All gas grill valves must be in the off position when the tank valve is turned on. Turn tank on slowly to allow pressure to equalize. See lighting instructions.  Preheat grill with both main burners on high for 10 to 15 minutes.
Excessive flare-ups/ uneven heat.	Sear plates installed incorrectly.  Improper preheating.  Excessive grease and ash build on sear plates and in drip pan.	See assembly instructions.  Preheat grill with main burners on high for 10 to 15 minutes.  Clean sear plates and drip pan regularly. Do not line pan with aluminum foil. Refer to cleaning instructions.
Burners burn with yellow flame, accompanied by the smell of gas.	Possible spider web or other debris in burner.	Thoroughly clean burner by removing. See general maintenance instructions.
Rear and Side burners will not light with the igniter, but will light with a match.	Dead battery / or installed incorrectly.  Loose electrode wire or switch terminal wires.	Replace with heavy duty premium battery.  Check that electrode wire is firmly pushed onto the terminal on the back of the igniter. Check that the lead wires from the module to the ignition switch (if equipped) are firmly pushed onto their respective terminals.
Main burner will not light with the igniter, but will light with a match.	Jet-fire outlet is dirty or clogged.	Clean jet-fire outlet with a soft bristle brush.
Humming regulator.	Normal occurrence on hot days.	This is not a defect. It is caused by internal vibrations in the regulator and does not affect the performance or safety of the gas grill. Humming regulators will not be replaced.
Burners will not cross light each other.	Dirty or corroded cross light brackets.	Clean or replace as required.



Problem	Possible Causes	Solution
"Paint" appears to be peeling inside lid or hood.	Grease build-up on inside surfaces.	This is not a defect. The finish on the lid and hood is porcelain, and will not peel. The peeling is caused by hardened grease, which dries into paint-like shards, that flake off. Regular cleaning will prevent this. See cleaning instructions.
Burner output on "high" setting is too low. (Rumbling noise and fluttering blue flame at burner surface.)	Lack of gas. Supply hose is pinched. Dirty or clogged orifice. Spider webs or other matter in venturi tube.	Check gas level in propane cylinder. Reposition supply hose as necessary. Clean burner orifice. Clean out venturi tube.
Infrared burner (if equipped) flashes back (during operation the burner abruptly makes a loud "whoosh" sound, followed by a continuous blow-torch type sound and grows dim.)	Ceramic tiles overloaded with grease drippings and build-up. Ports are clogged. Burner overheated due to inadequate ventilation (too much grill surface covered by griddle or pan.) Cracked ceramic tile. Leaking gasket surrounding the ceramic tile, or a weld failure in the burner housing.	Turn burner off and allow to cool for at least two minutes. Relight burner and burn on high for at least five minutes or until the ceramic tiles are evenly glowing red. Ensure that no more than 75% of the grill surface is covered by objects or accessories. Turn burner off and allow to cool for at least two minutes, then relight. Allow burner to cool and inspect very closely for cracks. If any cracks are found, contact your authorized Napoleon dealer to order a replacement burner assembly. Contact your authorized Napoleon dealer for instructions on ordering a replacement burner assembly.

**KEEP YOUR RECEIPT AS PROOF OF PURCHASE TO VALIDATE YOUR WARRANTY.**

## Ordering Replacement Parts

### *Warranty Information*

MODEL: \_\_\_\_\_

DATE OF PURCHASE: \_\_\_\_\_

SERIAL NUMBER: \_\_\_\_\_

### ***(Record information here for easy reference)***

For replacement parts and warranty claims, contact the Napoleon dealer where the product was purchased.

Before contacting the dealer, check the Napoleon Grills Website for more extensive cleaning, maintenance, troubleshooting and parts replacement instructions at [www.napoleongrills.com](http://www.napoleongrills.com).

To process a claim, the following information is required:

1. Model and serial number of the unit.
2. Part number and description.
3. A concise description of the problem ('broken' is not sufficient).
4. Proof of purchase (photocopy of the invoice).

In some cases, Napoleon could request to have the parts returned to the factory for inspection before providing replacement parts.

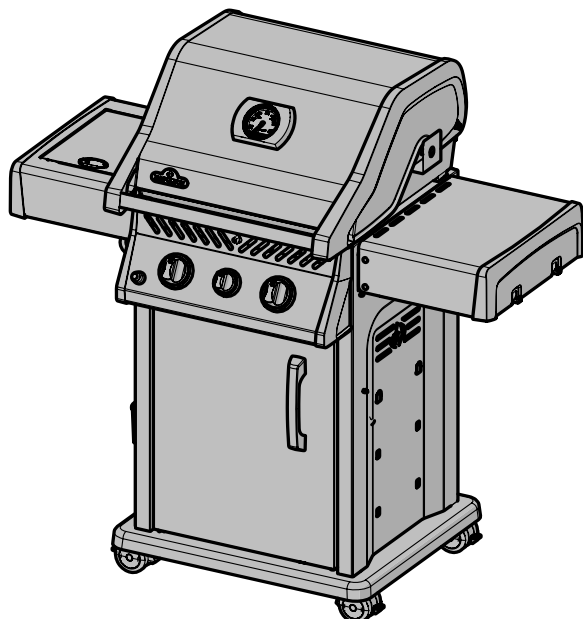
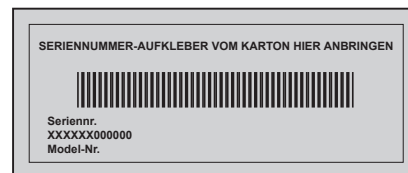
Before contacting Napoleon dealer, please note that the following items are not covered by the warranty:

- Costs for transportation, brokerage or export duties.
- Labour costs for removal and reinstallation.
- Costs for service calls to diagnose problems.
- Discolouration of stainless steel parts.
- Part failure due to lack of cleaning and maintenance, or use of improper cleaners (oven cleaner or other harsh chemicals).



Dieser Gasgrill darf nur an einem gut belüfteten Ort im Freien benutzt werden, nicht jedoch in einem Gebäude, einer Garage oder einem anderen geschlossenen Bereich.

DE



## ROGUE 365



### GEFAHR

#### WENN ES NACH GAS RIECHT:

- Gaszufuhr zum Gerät absperren.
- Flammen löschen.
- Haube öffnen.
- Wenn es weiterhin nach Gas riechen sollte, dem Gerät fernbleiben und unverzüglich den Gaslieferanten oder die Feuerwehr benachrichtigen.



### ACHTUNG

Vor dem Zünden dieses Geräts bitte unbedingt den Abschnitt „ZÜNDANLEITUNG“ lesen.

In der Nähe dieses oder anderer Geräte dürfen weder Benzin noch andere brennbaren Flüssigkeiten oder Gase gelagert werden. Dies gilt auch für nicht angeschlossene Gasflaschen. Ein Nichtbefolgen dieser Anleitung kann durch Brände oder Explosionen zu Sachschäden und Körperverletzungen, auch zu tödlichen, führen.

Erwachsene und insbesondere Kinder sollten vor den Gefahren beim Umgang mit hohen Oberflächentemperaturen gewarnt werden. Kleine Kinder, die sich in der Nähe des Gasgrills aufhalten, sollten stets beaufsichtigt werden.

Bitte Bewahren Sie Diese Anleitung Auf





# Napoleon Presidents 15 Jahre beschränkte Garantie

NAPOLEON-Produkte bestehen aus hervorragenden Bauteilen und Materialien und werden von Fachkräften montiert, die stolz auf ihre Arbeit sind. Sie werden von gelernten Handwerkern, denen ihre Arbeit mit großem Stolz erfüllt, montiert. Vor dem Verpacken für den Versand sind Ventile und Brenner auf einem Qualitätsprüfstand leakagegeprüft bzw. probegezündet und von einem qualifizierten Techniker inspiziert worden, damit der Kunde genau das Qualitätsprodukt erhält, das er von NAPOLEON erwartet.

Die Firma NAPOLEON garantiert, dass ab Kaufdatum an den Komponenten Ihres neuen NAPOLEON-Produkts weder Material- noch Verarbeitungsmängel auftreten, während:

Aluminium Gussteile / Edelstahl Grillkammer .....	<b>15 Jahre</b>
Edelstahl Deckel .....	<b>15 Jahre</b>
Porzellan-Emailierter Deckel .....	<b>15 Jahre</b>
Edelstahl Grillroste .....	<b>15 Jahre</b>
Edelstahl Hauptrohrbrenner .....	<b>10 Jahre 100%, der nächsten 5 Jahre 50%</b>
Edelstahl Flammenschutzsätze .....	<b>5 Jahre 100%, der nächsten 10 Jahre 50%</b>
Porzellan-beschichtete Grillroste .....	<b>5 Jahre 100%, der nächsten 10 Jahre 50%</b>
Keramik-Infrarotbrenner (ex. Gitter) .....	<b>5 Jahre 100%, der nächsten 10 Jahre 50%</b>
Sonstige Teile .....	<b>2 Jahre 100%</b>

## \*Bedingungen und Beschränkungen

Diese beschränkte Garantie bewirkt eine wie zuvor in der Aufstellung aufgeführte Garantiefrist für jedes bei einem autorisierten NAPOLEON Händler erworbene Produkt und berechtigt den ursprünglichen Käufer, entsprechend den geltenden Bestimmungen hinsichtlich des Komponentenaustauschs innerhalb der Garantiefrist, zu den entweder durch NAPOLEON oder einen autorisierten NAPOLEON Händler zu erbringenden Garantieleistungen. Diese beziehen sich auf den Austausch einer Komponente eines solchen Produkts, das im normalen Privatgebrauch infolge eines Herstellungsfehlers ausfiel. „Abzüglich 50 %“, wie in der Aufstellung genannt, bedeutet, dass die Komponente dem Käufer für den angegebenen Zeitraum mit 50 % Rabatt auf den regulären Verkaufspreis der Komponente angeboten wird. Diese beschränkte Garantie umfasst weder Zubehör noch Extrateile.

Um Missverständnissen vorzubeugen, „normaler Privatgebrauch“ eines Produkts bedeutet, dass das Produkt durch einen lizenzierten, autorisierten Servicetechniker oder Auftragnehmer in Übereinstimmung mit der dem Produkt beigefügten Installationsanleitung sowie allen lokalen und nationalen Bauverordnungen und Feuerschutzbestimmungen installiert wurde, dass es ordnungsgemäß gepflegt wurde und dass es nicht als Gemeinschaftsvorrichtung oder gewerblich genutzt wurde.

„Ausfallen“ beinhaltet nicht: übermäßige Hitzeerzeugung; Erlöschen der Flammen infolge von Umgebungsbedingungen wie starkem Wind oder unzureichender Luftzirkulation; Kratzer; Beulen; Rostbildung; Abnutzung von aufgetragenen Lackierungen und Plattierungen; durch Hitzeinwirkung, scheuernde oder chemische Reinigungsmittel oder UV-Bestrahlung verursachte Verfärbung; Beschädigung porzellan-emailierter Teile oder Schäden, die verursacht wurden durch unsachgemäße Nutzung, Unfall, Hagel, Fettbrand, mangelnde Pflege, widrige Umgebungseinflüsse wie Salz oder Chlor, Umbau, Nachlässigkeit oder installierte

Teile von anderen Herstellern. Sollten sich während der gewährten Garantiefrist Teile so sehr abnutzen, dass die Nutzung nicht mehr möglich ist (durchgerostet oder -gebrannt), werden die entsprechenden Ersatzteile bereitgestellt.

NAPOLEON ist gemäß dieser beschränkten Garantie einzig für die Ersatzkomponente verantwortlich. Unter keinen Umständen wird NAPOLEON Verantwortung übernehmen für Installation, Arbeitskräfte oder jegliche andere Kosten im Zusammenhang mit der Installation eines im Garantiefumfang enthaltenen neuen Teils; für Neben-, Folge- oder indirekte Schäden oder für Fracht, Arbeitskosten oder Ausfuhrzölle.

Diese beschränkte Garantie gilt in Ergänzung zu jeglichen Rechten, die Ihnen laut den örtlichen Gesetzen zustehen. Folglich erlegt diese beschränkte Garantie NAPOLEON keine Verpflichtung dahingehend auf, Einzelteile vorrätig zu halten. Auf der Grundlage der Einzelteilverfügbarkeit kann sich NAPOLEON nach eigenem Ermessen von allen Verpflichtungen entbinden, indem dem entsprechenden Kunden eine anteilige Gutschrift beim Kauf eines neuen Produkts gewährt wird. Nach dem ersten Jahr kann sich NAPOLEON in Bezug auf diese beschränkte Garantie nach eigenem Ermessen von allen Verpflichtungen hinsichtlich dieser Garantie vollständig entbinden, indem dem ursprünglichen und ein Garantieanspruch zustehenden Käufer der Großhandelspreis eines jeden im Garantiefumfang enthaltenen aber defekten Einzelteils erstattet wird.

Für die Geltendmachung von Garantieansprüchen bei NAPOLEON sind der Kaufvertrag oder eine Kopie dessen sowie die Serien- und Modellnummer erforderlich.

NAPOLEON ist das Recht vorbehalten, durch einen damit beauftragten Vertreter jedes Produkt oder Teil prüfen zu lassen, bevor einem Garantieanspruch stattgegeben wird. Sie müssen sich an den NAPOLEON Kundendienst oder einen autorisierten NAPOLEON Händler wenden, um von der angebotenen Garantie profitieren zu können.



[napoleongrills.com](http://napoleongrills.com)

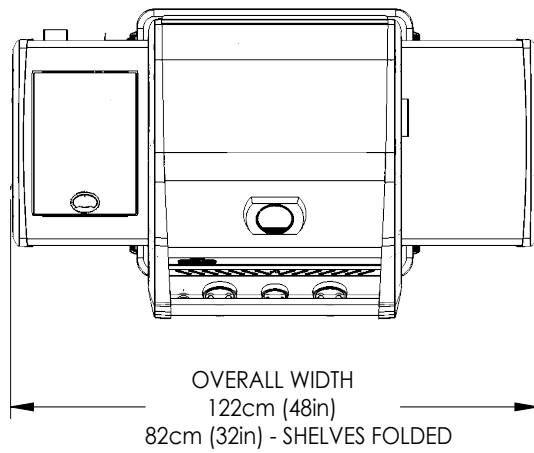


**ACHTUNG!** Ein Nichtbefolgen dieser Anleitung kann durch Brände oder Explosionen zu Sachschäden und Körperverletzungen, auch zu tödlichen, führen.

## Vorsichtsmassnahmen

- Bei der Montage dieses Gasgrills müssen die Anweisungen im Handbuch genau befolgt werden. Falls der Grill vollständig montiert aufbewahrt wurde, müssen die Montageanweisungen erneut überprüft und die erforderlichen Prüfungen auf Gaslecks durchgeführt werden, bevor der Grill in Betrieb genommen wird.
- Vor dem ersten Gebrauch des Gasgrills die gesamte Anleitung lesen.
- Auf keinen Fall darf dieser Gasgrill modifiziert werden.
- Grill stets genau nach Anleitung zünden.
- Wenn der Gasgrill nicht benutzt wird, muss die Gaszufuhr abgesperrt werden.
- Kinder und Haustiere vom heißen Grill fernhalten, Kinder NICHT in den Unterschrank klettern lassen.
- Den Grill niemals unbeaufsichtigt lassen, wenn er in Betrieb ist.
- Den Grill nicht bewegen, solange er heiß oder in Betrieb ist.
- Dieser Gasgrill ist nicht zum Einbau in Wohnwagen/Wohnmobilen und/oder Booten vorgesehen.
- Diesen Gasgrill nur im Freien an einer gut belüfteten Stelle lagern. Niemals in einem Gebäude, einer Garage oder einem geschlossenen Bereich/Raum benutzen.
- Ausreichenden Abstand zu brennbaren Materialien einhalten 18" (460mm) zur Geräterückseite, 7" (180mm) zu den Seitenteilen).
- Zusätzlicher Abstand ist empfehlenswert, wenn das Gerät in der Nähe von Vinyl-Verkleidungen oder großen Fensterscheiben aufgestellt wird.
- Stellen Sie sicher, dass die Lüftungslöcher des Zylinders stets frei von Schmutz und Ablagerungen sind.
- Gerät niemals unter einer ungeschützten brennbaren baulichen Struktur aufstellen.
- Gerät nur an einem windgeschützten Ort aufstellen. Die Kochleistung des Gasgrills wird durch starke Windeinwirkung beeinträchtigt.
- Falls der Gasgrill im Innenbereich gelagert wird, muss die Propangasflasche vom Grill entfernt und im Freien an einer gut belüfteten Stelle aufbewahrt werden. Propangasflaschen dürfen nicht in Gebäuden, Garagen oder anderen geschlossenen Räumen gelagert werden.
- Vor jeder Benutzung muss der Gasschlauch untersucht werden. Wenn der Schlauch stark abgerieben oder eingeschnitten ist, muss er vor Benutzung des Gasgrills mit einem vom Hersteller empfohlenen Schlauch ersetzt werden.
- Ersatz-Propangasflaschen niemals unter oder in der Nähe des Grills aufbewahren.
- Die Gasflasche niemals mehr bis als 80 % füllen.
- Vor der ersten Inbetriebnahme alle Anschlüsse auf Gaslecks prüfen, auch wenn der Grill vollständig montiert geliefert wurde. Führen Sie diesen Test jährlich oder nach dem Austausch einer Gaskomponente aus.
- Niemals ein für den Gebrauch mit flüssigem Propangas ausgelegtes Gerät mit Erdgas betreiben.
- Niemals flüssige Grillanzünder zum Anzünden eines Gasgrills verwenden.
- Holzkohlenbriketts nur mit einer für dieses Gerät vorgesehenen Napoleon-Holzkohlenwanne verwenden.
- Vor Öffnen der Gaszufuhr kontrollieren, dass die Brenner-Bedienelemente auf der Position „OFF“ (Aus) stehen.
- Brenner Niemals bei geschlossener Grillhaube zünden.
- Rückseitigen Brenner nicht verwenden, wenn der Hauptbrenner in Betrieb ist.
- Grillhaube während der Vorwärmzeit geschlossen halten.
- Den Schlauch nicht unter der Auffangschale durchführen – stets ausreichenden Abstand des Schlauches zum Geräteboden einhalten.
- Fett-Auffangbehälter und Glühplatten regelmäßig reinigen, um Fettansammlungen zu vermeiden, die zu Fettbränden führen können.
- Vor dem Anzünden des hinteren Brenners den Warmhalterost entfernen. Der Warmhalterost kann durch die extreme Hitze beschädigt werden.
- Korrekte Position der Glühplatten kontrollieren. Folgen Sie hierzu den Installationsanweisungen für die Glühplatten.
- Die Seitenablagen nicht für die Aufbewahrung von Feuerzeugen, Streichhölzern oder anderen brennbaren Materialien verwenden.
- Gasleitung von allen Oberflächen fernhalten, die heiß werden können.
- Elektrische Kabel von Wasser oder heißen Oberflächen fernhalten.
- Venturirohdüsen der Infrarotbrenner periodisch auf Spinnweben und Verstopfungen durch andere Objekte überprüfen.
- Die Rohrdüsen vollständig reinigen, um alle Verstopfungen zu entfernen.
- Der Außen-Gasgrill und das entsprechende Sperrventil müssen von Gaszufuhrsystem getrennt werden, wenn das Gassystem aus Gasdrücke von über 0,5 psi (3,5 kPa) geprüft wird.
- Der Gasgrill für den Gebrauch im Freien und das entsprechende Sperrventil müssen vom Gaszufuhr und den Verbindungsrohren getrennt werden, wenn das Gassystem aus Gasdrücke von über 0,5 psi (3,5 kPa) geprüft wird.

# DIMENSIONEN

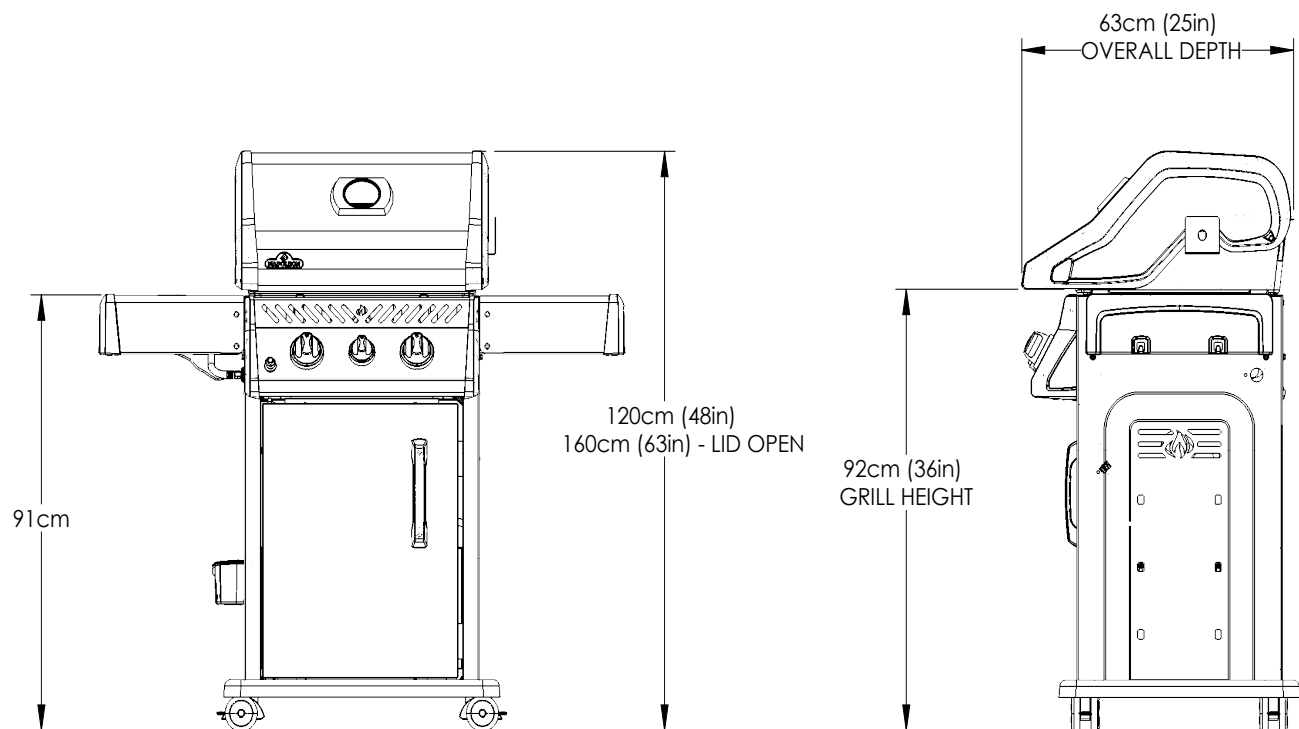


## R365 GRILL

2 X 4.75 KW/H MAIN BURNER  
1 X 3.0 KW/H SIDE BURNER (IF EQUIPPED)

GRILL SIZE: 46cm X 51cm = 2350cm<sup>2</sup> (365in<sup>2</sup>)  
WARMING RACK SIZE: 12cm X 51cm = 610cm<sup>2</sup> (95in<sup>2</sup>)  
IR SIDE BURNER SIZE: 22cm X 25cm = 550cm<sup>2</sup> (85in<sup>2</sup>)

-ALL DIMENSIONS ARE APPROXIMATE-



DE



## Entsorgung von Altgeräten aus privaten Haushalten in der EU

Dieses Symbol auf dem Produkt oder dessen Verpackung gibt an, dass das Produkt innerhalb der EU nicht zusammen mit dem Restmüll entsorgt werden darf. Die separate Sammlung und das Recyceln Ihrer alten Elektrogeräte zum Zeitpunkt ihrer Entsorgung trägt zum Schutz der Umwelt bei und gewährleistet, dass sie auf eine Art und Weise recycelt werden, die keine Gefährdung für die Gesundheit des Menschen und der Umwelt darstellt. Es obliegt daher Ihrer Verantwortung, das Gerät an einer entsprechenden Rücknahmestelle für die Entsorgung oder Wiederverwertung von Elektro- oder Elektronik-Altgeräten aller Art abzugeben oder wenden Sie sich an den Händler, von dem das Produkt erworben wurde. Gemäß den lokalen Bestimmungen gewährleisten diese Stellen, dass das Gerät auf eine Art und Weise recycelt wird, die keine Gefährdung für die Umwelt darstellt.

## Gasflaschen

Es dürfen nur Gasflaschen benutzt werden, die die einschlägigen gesetzlichen Bestimmungen erfüllen. Für einen optimalen Betrieb sollte Propangas verwendet werden. Für einen optimalen Betrieb sollte Propangas verwendet werden. Die Mindestflaschengröße bei Butan ist 13 kg, bei Propan 6 kg. Die Flasche muss eine für den Betrieb ausreichende Gasmenge liefern können. Im Zweifelsfall wird der Gaslieferant mit Informationen helfen.

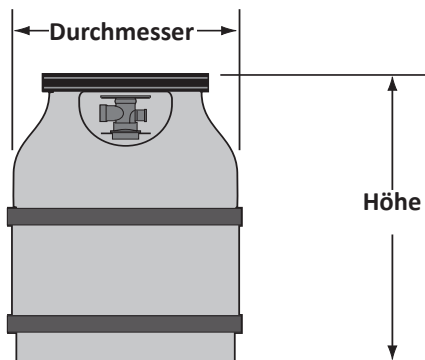
- Das Ventil der Gasflasche ist vorsichtig zu behandeln.
- Eine Flasche, die die gesetzlichen Bestimmungen nicht erfüllt, darf nicht angeschlossen werden.
- Alle Gasflaschen, die höher als 580 mm und deren Durchmesser größer als 310 mm sind, müssen außerhalb des Grillunterbaus am Boden platziert werden.
- Gasflaschen, deren Außenmaße kleiner sind als 310 mm im Durchmesser und kleiner als 580 mm in der Höhe, können im Grillunterbau auf der rechten Seite der Bodenplatte platziert werden. Nur Gasflaschen, die mit dem Gerät verbunden sind, können im Grillunterbau bzw. Grillwagen aufbewahrt werden, oder in der Nähe des Grillgeräts. Zusätzliche Gasflaschen dürfen nicht im Grillunterbau aufbewahrt werden, oder in der Nähe eines in Betrieb genommenes Geräts. Gasflaschen dürfen nicht extremer Hitze oder direktem Sonnenlicht ausgesetzt werden.



**ACHTUNG!** Der Schlauch muss den vorgeschriebenen Abstand zum Boden des Geräts haben. Wenn der Schlauch heiße Flächen berührt, kann er schmelzen und undicht werden und einen Brand verursachen.

**FLASCHENANSCHLUSS:** Es ist sicherzustellen, dass der Gasreglerschlauch knickfrei ist. Kappe oder Stöpsel vom Flaschenventil entfernen. Regler an das Flaschenventil anschließen. Vor der Benutzung des Grills alle Verbindungen auf Leckagen überprüfen. Ein Leckagetest muss jährlich, nach jedem Anschließen einer Flasche und nach Auswechseln eines Gasbauteils durchgeführt werden.

### Beispiel Zylinder



## Gasschlauch

- Gehören Schlauch und Regler nicht zum Lieferumfang, dürfen nur solche Schläuche und Regler verwendet werden, die die einschlägigen gesetzlichen Bestimmungen erfüllen.
- Gerät nicht an eine permanente Gasversorgung anschließen.
- Der Schlauch darf nicht mit Fett oder sonstigen heißen Flüssigkeiten oder Bauteilen des Geräts in Berührung kommen.
- Schlauch regelmäßig überprüfen. Ein Schlauch, der Risse oder Schmelzstellen aufweist oder abgenutzt ist, muss vor der nächsten Benutzung des Geräts ersetzt werden.
- Es wird eine Schlauchlänge von 0,9 m empfohlen. Der Schlauch darf nicht länger als 1,5 m sein.
- Beim Anschließen ist darauf zu achten, dass der Schlauch knickfrei und nicht verdreht ist.
- Der Schlauch ist vor dem aufgedruckten Ablaufdatum auszuwechseln.





### ACHTUNG!

- Schlauch nicht unterhalb der Auffangschale verlegen.
- Schlauch nicht im Zwischenraum zwischen dem unteren Regal und der hinteren Abdeckung verlegen.
- Schlauch nicht über die Oberseite der hinteren Abdeckung verlegen.
- Alle Schlauchanschlüsse mit zwei Rohrschlüsseln fest anziehen. Kein Teflon-Abdichtungsband oder Dichtungskitt für die Rohrverbindungen verwenden.
- Den Schlauch von heißen Oberflächen fernhalten. Schmelzen des Schlauchs kann zu Bränden führen.
- Ersatzschläuche nicht im Unterschrank des Grills aufbewahren, da hier größere Gefahr besteht, dass der Schlauch mit einer heißen Oberfläche in Kontakt kommen, schmelzen und zu einem Gasleck und Bränden führen kann.
- Alle Verbindungen mit Seifenlauge auf Gaslecks überprüfen. Folgen Sie den Anweisungen für die Suche nach Gaslecks in diesem Handbuch.

DE

## Regler

In der folgenden Tabelle sind die Anschlusswerte des Geräts aufgeführt.

Brenner	Düsengröße		(Grob)Leistung (Insgesamt)	Gasverbrauch (Insgesamt)
	I	II		
Haupt	#59	#64	9.5 kW	690 g/hr
Seite (Infrarot)	0.86 mm	#69	3.0 kW	218 g/hr
Seite (Flamme)	0.86 mm	#69	3.0 kW	218 g/hr

**Zugelassene Gase / Druck - Die Werte Ihres Geräts stehen auf dem Typenschild.**

**Nehmen Sie keinerlei Änderungen am Druckregler vor. Nur Druckregler verwenden, die den in der vorstehenden Tabelle angegebenen Druck bereitstellen. Ersetzen Sie den Druckregler nur mit vom Hersteller vorgegebenen Modellen.**

Gaskategorie	'3B/P(30)	'3+(28-30/37)	'3P, '3B/P(37)	'3B/P(50)
Düsengröße (siehe oben)	I	I	I	II
Gasdruck	Butan 30 mbar Propane 30 mbar	Butan 28-30 mbar Propane 37 mbar	Butan 37 mbar Propane 37 mbar	Butan 50 mbar Propane 50 mbar
Länder	BE, BG, CY, DK, EE, FI, FR, GB, HR, HU, IS, IT, LT, LU, MT, NL, NO, RO, SE, SI, SK, TR	BE, CH, CY, CZ, ES, FR, GB, GR, IE, IT, LT, LU, LV, PT, SK, SI	PL	AT, CH, DE, SK

## Anleitung Für Die Leckageprüfung



**ACHTUNG!** Ein Leckagetest muss vor der ersten Benutzung, jährlich und nach Auswechseln oder Warten eines Gasbauteils durchgeführt werden.



**ACHTUNG!** Während der Prüfung ist Rauchen verboten. Alle Zündquellen sind zu entfernen.



**Leckageprüfung:** Ein Leckagetest muss vor der ersten Benutzung, jährlich und nach Auswechseln oder Warten eines Gasbauteils durchgeführt werden. Während der Prüfung ist Rauchen verboten. Alle Zündquellen sind zu entfernen. Die zu prüfenden Stellen sind auf der *Leckageprüfzeichnung* aufgeführt.



Alle Brenner abstellen. Flaschenventil aufdrehen.



Seifenwasser (halb Wasser, halb Flüssigseife) auf alle Anschlüsse und Verbindungen an Regler, Schlauch, Verteiler und Ventile auftragen.

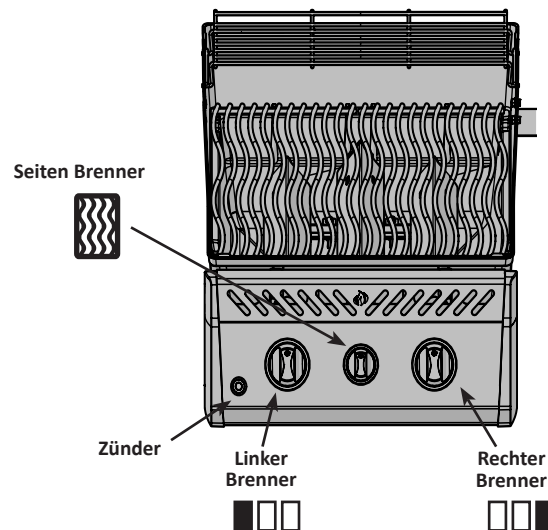


Leckagen werden durch Blasenbildung angezeigt. Leckage durch Festdrehen des Anschlusses oder Austausch des Teils durch ein vom Händler empfohlenes Teil beseitigen.

Bleibt die Leckage bestehen, Flaschenventil zudrehen, Regler abnehmen und Grill vom Gaslieferanten oder Händler untersuchen lassen. Das Gerät darf erst wieder benutzt werden, wenn die Leckage behoben ist.

Gaszufuhr abstellen.

# Zündanleitung

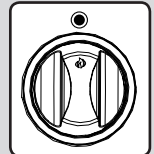


DE



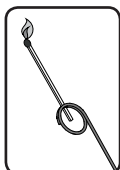
**ACHTUNG!** Haube öffnen.

Ausschaltstellung



**ACHTUNG!** Stellen Sie sicher, dass alle Brenner-Bedienelemente auf „OFF“ (Aus) gestellt sind, und öffnen Sie das Gasventil an der Gasquelle.

Anzünden des Hauptbrenners	Anzünden der Seitenbrenner (Falls vorhanden)
1. Haube öffnen.	1. Haube des Seitenbrenners öffnen.
2. Beliebiges Hauptbrenner-Bedienelement drücken und langsam auf Stufe „HI“ (Hohe Flamme) drehen. Hierdurch wird die Pilotflamme gezündet, welche wiederum den ausgewählten Brenner entzündet. Nach Zünden der Pilotflamme das Bedienelement weiterhin gedrückt halten, bis der Brenner entzündet ist. Lassen Sie das Bedienelement los, wenn das Gas brennt.	2. Seitenbrenner-Bedienelement drücken und langsam auf Stufe „HI“ (Hohe Flamme) drehen.
3. Wenn der Pilot nicht zündet, das Bedienelement SOFORT wieder auf „OFF“ (Aus) stellen und Schritt 2 mehrmals wiederholen.	3. Zündknopf drücken und gedrückt halten, bis Brenner zündet; oder mit Streichholz anzünden
4. Falls Pilot und Brenner nicht innerhalb von 5 SEKUNDEN zünden, das Bedienelement auf „OFF“ stellen und 5 Minuten warten, damit sich unverbranntes Gas verflüchtigen kann. Danach die Schritte 2 und 3 wiederholen oder den Brenner mit einem Streichholz entzünden.	4. Falls der Brenner nicht innerhalb von 5 SEKUNDEN zündet, das Bedienelement auf „OFF“ stellen und 5 Minuten warten, damit sich unverbranntes Gas verflüchtigen kann. Danach die Schritte 2 und 3 wiederholen oder den Brenner mit einem Streichholz entzünden.
5. Falls der Grill mit einem Streichholz angezündet wird, klemmen Sie das Streichholz in den mitgelieferten Streichholzhalter ein. Das brennende Streichholz nach unten halten, durch den Grill und die Glühplatte führen und dabei das entsprechende Brennerventil auf hohe Flamme drehen.	



# Grillanleitung

Beim allerersten Erhitzen gibt der Gasgrill einen leichten Geruch ab. Der Geruch wird durch das „Einbrennen“ der Innenlacke und Verdunsten der Schmiermittel aus der Fertigung verursacht, ist ganz normal und tritt später nicht mehr auf. Vor der ersten Benutzung sollten Sie darum die Hauptbrenner etwa eine halbe Stunde mit größter Hitze brennen lassen. Vor dem Grillen von magerem Fleisch wie Hähnchenbrust oder mageres Schweinefleisch ist es am besten, die Roste vor dem Vorwärmen zu ölen, damit das Fleisch nicht anklebt. Beim Grillen von sehr fettem Fleisch kann es zum Aufflammen kommen. Um Aufflammen zu verhindern, können Sie Fett abschneiden oder mit niedrigerer Temperatur grillen. Wenn es zum Aufflammen kommt, legen Sie das Fleisch von der Flamme weg zur Seite und stellen die Temperatur herunter. Lassen Sie die Haube offen. Eine detaillierte Anleitung finden Sie in Napoleons Grill-Kochbuch.

**Grillen Mit Den Hauptbrennern:** Vor dem Anbraten von Grillgut wird 10 Minuten Vorwärmen empfohlen. Dafür werden alle Hauptbrenner auf die höchste Stufe gestellt und die Haube geschlossen. Kurz zu grillende Nahrungsmittel wie Fisch und Gemüse können bei offener Haube gegrillt werden. Beim Grillen bei geschlossener Haube ist die Temperatur gleichmäßiger und höher, sodass die Grillzeit kürzer ist und das Fleisch gleichmäßiger gegrillt wird. Benötigt ein Grillgut länger als 30 Minuten, wie z. B. ein Braten, so kann es indirekt gekocht werden (Braten neben den gezündeten Brenner stellen). Vor dem Grillen von magerem Fleisch wie Hähnchenbrust oder mageres Schweinefleisch ist es am besten, die Roste vor dem Vorwärmen zu ölen, damit das Fleisch nicht anklebt. Beim Grillen von sehr fettem Fleisch kann es zum Aufflammen kommen. Um Aufflammen zu verhindern, können Sie Fett abschneiden oder mit niedrigerer Temperatur grillen. Wenn es zum Aufflammen kommt, legen Sie das Fleisch von der Flamme weg zur Seite und stellen die Temperatur herunter. Lassen Sie die Haube offen. Eine detaillierte Anleitung finden Sie in Napoleons Grill-Kochbuch.

**Grillen Mit Den Infrarot-Hauptbrennern in der Hauptgarkammer (wo vorhanden):** Infrarotbrenner gemäß der Zündanleitung zünden und 5 Minuten oder bis die Keramikbrenner rot glühen bei geschlossener Haube auf höchster Stufe brennen lassen. Grillgut auf den Grill legen und solange braten, wie es in der Infrarot-Grilltabelle aufgeführt ist.

Je nach Geschmack können Sie entweder auf dem Infrarotbrenner auf höchster, mittlerer oder niedriger Stufe weitergrillen und das Grillgut öfter wenden, oder Sie legen es neben den Infrarotbrenner, schließen die Haube und lassen es wie im Bratofen fertig garen.



**VORSICHT!** Wegen der großen Hitze der Infrarotbrenner brennt das Grillgut schnell an! Darum sollte die Haube offen sein, wenn mit den Infrarotbrennern in höchster Stufe gegrillt wird. Durch die große Hitze ist auch bei offener Haube eine ausreichende Anbrattemperatur gewährleistet. Außerdem kann man das Grillen besser überwachen und ein Anbrennen verhindern.

**Direktes Garen:** Grillgut direkt über der Wärmequelle auf den Grill legen. Diese Methode wird üblicherweise zum Braten von Speisen verwendet, die keine langen Kochzeiten erfordern - Hamburger, Steaks, Geflügelstücke, Gemüse usw. Das Grillgut wird zunächst scharf angebraten, um Säfte und Aromen im Grillgut „einzusiegeln“. Anschließend wird die Temperatur verringert, um das Gericht punktgenau fertig zu garen.

**Indirektes Garen:** Hierbei kann nur einer oder auch mehrere Brenner verwendet werden. Grillgut über einem nicht gezündeten Brenner auf den Grill legen. Die Wärme zirkuliert um das Grillgut und sorgt so für langsames und gleichmäßiges Garen. Diese Kochmethode ist vergleichbar mit dem Garen im Backofen und wird üblicherweise für größere Fleischstücke wie Braten, ganze Hähnchen oder Pute verwendet. Sie eignet sich aber auch für die Zubereitung von Grillgut, das leicht zum Aufflammen führen kann. Aufgrund der niedrigeren Temperaturen und längeren Kochzeiten ist dies die zuverlässigste Garmethode zum Grillen zarter und saftiger Fleischstücke.

**Verwendung der Seitenbrennerflamme:** Der Seitenbrenner kann wie ein normales Gaskochfeld verwendet werden und eignet sich zur Zubereitung von Soßen, Suppen usw. Der Gasgrill sollte so positioniert werden, dass der Seitenbrenner möglichst windgeschützt ist, da starke Winde die Leistung des Seitenbrenners beeinträchtigen können. Seitenbrenner **NICHT** zum Frittieren verwenden, da das Kochen mit Öl zu gefährlichen Bedingungen führen kann. Der empfohlene Durchmesser für Pfannen und Töpfe ist 25 cm.



**ACHTUNG!** Niemals Speisen direkt auf den Seitenbrennerring auflegen und grillen. Er ist nur zur Verwendung mit Töpfen und Pfannen vorgesehen.

**ACHTUNG!** Seitenbrenner nicht schließen, solange der Grill in Betrieb oder noch heiß ist.

**ACHTUNG!** Seitenbrenner NICHT zum Frittieren verwenden, da das Kochen mit Öl zu gefährlichen Bedingungen führen kann.

**Verwendung des Infrarot-Seitenbrenners (wo vorhanden):** Der Gasgrill sollte so positioniert werden, dass der Seitenbrenner möglichst windgeschützt ist, da starke Winde die Leistung des Seitenbrenners beeinträchtigen können. Der empfohlene Durchmesser für Pfannen und Töpfe ist 25 bis 30 cm.



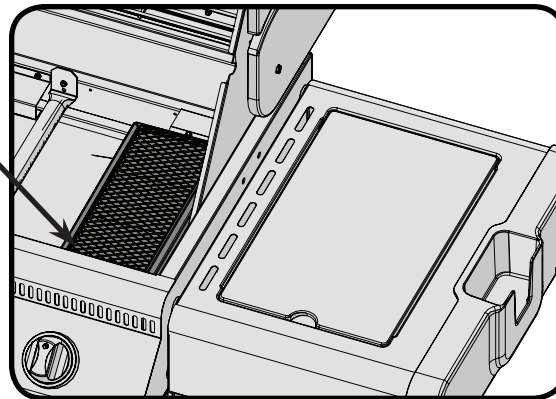
**ACHTUNG!** Deckel des Seitenbrenners nicht schließen, solange der Seitenbrenner in Betrieb oder noch heiß ist.

**ACHTUNG!** Den Grillrost nicht verstellen, solange er heiß oder in Betrieb ist.

**ACHTUNG!** Seitenbrenner NICHT zum Frittieren verwenden, da das Kochen mit Öl zu gefährlichen Bedingungen führen kann.

1. Folgen Sie den Anweisungen für das Anzünden des Infrarotbrenners und betreiben Sie den Grill bei offener Haube für 5 Minuten oder bis die Keramik-Brenner rot glühen.
2. Fleisch oder anderes Grillgut auf den Grill legen und gemäß den in der Tabelle für das Infrarotgrillen angegebenen Zeiten grillen.
3. Nach Geschmack auf hoher, mittlerer oder niedriger Temperatur über dem Infrarotbrenner weitergrillen und die Speisen oft wenden oder Speisen vom Infrarotbrenner wegschieben, Haube schließen und auf Ofentemperatur langsam fertig garen.

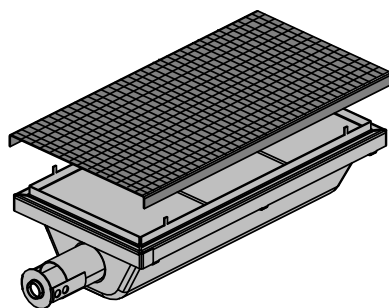
INFRARED MAIN BURNER



**ACHTUNG!** Die Infrarotbrenner erzeugen eine sehr intensive Hitze - Grillgut nicht unbeaufsichtigt auf dem Brenner lassen, da es schnell anbrennen kann. Bei Verwendung der Infrarotbrenner auf hoher Flamme die Haube offen lassen. Die intensive Hitze sorgt für ausreichende Brattemperaturen auch bei geöffneter Haube. Dies erlaubt auch das bessere Überwachen des Grillguts, um Anbrennen zu vermeiden.

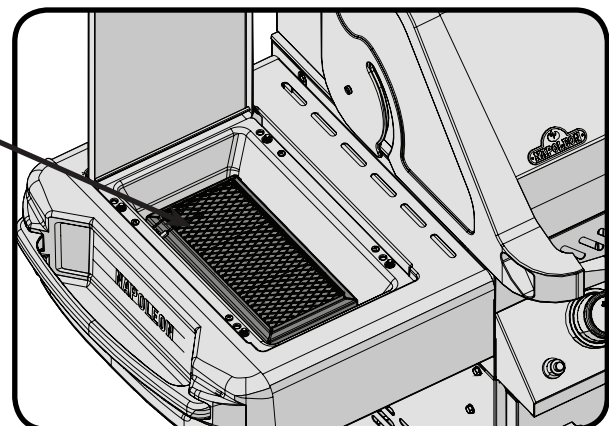
**Schutz der Infrarotbrenner:** Die Infrarotbrenner des Napoleon-Grills sind für eine lange Lebensdauer ausgelegt. Es sind jedoch einige Maßnahmen erforderlich, um Risse in den keramischen Brennoberflächen zu vermeiden, die zu Brennerfehlfunktionen führen können.

- Die Keramik-Brenner dürfen niemals direkt mit Wasser in Berührung kommen.
- Die Keramik-Brenner niemals mit harten Gegenständen in Kontakt bringen oder berühren.
- Kaltes Wasser (Regen, Rasensprenger, Gartenschlauch usw.) von den Keramik-Brennern fernhalten. Große Temperaturunterschiede können zu Rissen in der keramischen Oberfläche führen.
- Schäden, die aufgrund der Nichtbefolgung dieser Maßnahmen entstehen, unterliegen nicht der Garantieflicht von Napoleon.



**Replacement Screen N565-0002**

INFRARED SIDE BURNER



## Infrarotwärme

Die meisten Menschen wissen nicht, dass unsere natürliche Wärmequelle, die Sonne, die Erde hauptsächlich mit Infrarotenergie wärmt. Infrarotenergie ist eine Form der elektromagnetischen Energie mit einer etwas größeren Wellenlänge als die Farbe Rot des Lichtspektrums, aber einer etwas geringeren als die der Radiowellen. Diese Energie wurde 1800 von Sir William Herschel entdeckt, der das Sonnenlicht mit Hilfe eines Prismas in seine Bestandteile zerlegte. Er wies nach, dass die meiste Wärme des Sonnenlichts im Bereich neben dem roten Ende des Spektrums, wo das Licht nicht mehr sichtbar ist, zu finden ist. Dies ist der Bereich der Infrarotenergie. Die meisten Materialien absorbieren Infrarotstrahlung in einem breiten Wellenlängenbereich und werden dadurch erwärmt. Ebenso fühlen wir Wärme auf der Haut, wenn wir uns dem Sonnenlicht aussetzen. Die Infrarotstrahlung der Sonne wandert durch das Vakuum des Weltraums und die Atmosphäre und dringt in unsere Haut ein. Die Bewegung der Moleküle der Haut wird verstärkt, was zu stärkerer interner Reibung führt und Wärme erzeugt, die wir fühlen können.

Nahrungsmittel können genauso mit Infrarotstrahlung erhitzt werden. Dabei ist Holzkohle die herkömmliche Art des Infrarotkochens, mit der wir alle vertraut sind. Die glühenden Kohlen geben Infrarotenergie an das Grillgut ab, wobei der Trocknungseffekt sehr gering ist. Bratensaft und Öle, die dem Grillgut entweichen, tropfen hinunter in die Holzkohle, sodass ein Rauch aufsteigt, der dem Grillgut den herrlichen Grillgeschmack verleiht. Die Infrarotbrenner der Napoleon-Grills funktionieren genauso. Jeder der Brenner hat 10.000 Löcher. Aus jedem Loch tritt eine Flamme aus, die die Keramikoberfläche zur Rotglut bringen. Die glühende Oberfläche strahlt Infrarotwärme auf das Grillgut ab, ohne dass man sich mit Holzkohle herumschlagen muss. Außerdem ist die Wärme gleichmäßig über die ganze Fläche verteilt und einfacher zu regeln als ein Holzkohlefeuer. Zum schnellen Anbraten können die Brenner ganz aufgedreht und zum langsamen Kochen heruntergestellt werden. Wie schwierig das bei einem Holzkohlefeuer ist, wissen wir alle. Normale Gasbrenner erhitzen das Grillgut auf andere Weise. Die Luft um den Brenner herum wird durch den Verbrennungsprozess erhitzt und steigt zum Grillgut auf, das dann gebraten wird. Die Grilltemperatur ist geringer, was für Meeresfrüchte und Gemüse ideal ist. Kurz gesagt: Napoleons Infrarotbrenner erzeugen eine Anbrathitze, die zu saftigeren, geschmackvolleren Steaks, Hamburgern und sonstigen Fleischgerichten führt. Grillzeiten und Grilltipps finden Sie in der Infrarot-Grilltabelle.

# Infrarot-Grilltabelle

Grillgut	Brennerstufe	Grillzeit	Empfehlungen
Steak, 2,5 cm dick	2 Min. pro Seite auf höchster Stufe  2 Min. pro Seite auf höchster Stufe, dann mittlere Stufe  2 Min. pro Seite auf höchster Stufe, dann mittlere Stufe	Englisch: 4 Min.  Medium: 6 Min.  Durch: 8 Min.	Durchwachsenes Fleisch eignet sich am besten zum Grillen. Das Fett macht das Fleisch zart und saftig.
Hamburger, 1,27 cm dick	2 Min. pro Seite auf höchster Stufe  2,5 Min. pro Seite auf höchster Stufe  3 Min. pro Seite auf höchster Stufe	Englisch: 4 Min.  Medium: 5 Min.  Durch: 6 Min.	Wieweit der Hamburger durch sein soll, kann man auch durch seine Dicke bestimmen. Hickoryspäne im Räucherkasten des Napoleon-Grills gibt dem Fleisch einen exotischen Geschmack.
Hähnchenstücke	2 Min. pro Seite auf höchster Stufe, dann mittlere bis unterste Stufe	20-25 Min.	Gelenk zwischen Ober- und Unterschenkel auf der hautlosen Seite $\frac{3}{4}$ durchschneiden, damit das Fleisch flach auf dem Grill liegt. So wird es schneller und gleichmäßiger gegrillt. Mesquitspäne im Räucherkasten des Napoleon-Grills verleiht dem Fleisch einen ganz besonderen Geschmack.
Schweinekotelett	Mittlere Stufe	6 Min. pro Seite	Vor dem Grillen überschüssiges Fett abschneiden. Dicke Koteletts werden zarter.
Spare Ribs	5 Min. auf höchster Stufe, dann niedrige Stufe zum Garen	20 Min. pro Seite, oft wenden	Magere, fleischige Spareribs sind die besten. Solange grillen, bis das Fleisch sich leicht von den Knochen lösen lässt.
Lammkotelett	5 Min. auf höchster Stufe, dann mittlere Stufe zum Garen	15 Min. pro Seite	Vor dem Grillen überschüssiges Fett abschneiden. Dicke Koteletts werden zarter.
Würstchen	Mittlere bis niedrigste Stufe	4-6 Min.	Dicke Würstchen sind am besten geeignet. Vor dem Grillen der Länge nach aufschlitzen.



## Reinigungsanleitung

**VORSICHT!** Beim Reinigungsanleitung sollten Arbeitshandschuhe und eine Schutzbrille getragen werden.

**VORSICHT!** Zum Reinigen müssen die Brenner ausgeschaltet sein. Heiße Flächen nicht ungeschützt berühren. Grill an einen Ort stellen, wo das Reinigungsmittel keinen Schaden anrichten kann (nicht auf die Terrasse oder den Rasen). Kein Teil dieses Gasgrills darf mit Ofenreiniger gesäubert werden. Grillroste oder andere Teile des Gasgrills nicht in einem selbstreinigenden Ofen säubern. Gasgrill regelmäßig reinigen, da Barbecue-Sauce und Salz das Metall angreifen.

**Hinweis:** In chlorid- und sulfidhaltigen Umgebungen kann auch rostfreier Stahl oxidieren oder Flecken aufweisen. Dazu gehören insbesondere Küstenregionen und andere extreme Bedingungen, z. B. die nähere Umgebung von Pools und Whirlpools, die von hoher Wärme und Luftfeuchtigkeit gekennzeichnet ist. Diese Flecken werden manchmal mit Rost verwechselt, aber sie können einfach entfernt und vermieden werden. Reiben Sie alle rostfreien Stahlflächen alle 3 bis 4 Wochen mit Leitungswasser und einem Reinigungsmittel für rostfreien Stahl ab, um die Entstehung von Flecken zu verhindern.

**Grill- und Warmhalteroste:** Grillroste und Warmhalterost sind am leichtesten während der Vorwärmphase zu reinigen. Verwenden Sie eine Grillbürste mit Messingborsten. Zur Entfernung von hartnäckigen Flecken kann Stahlwolle verwendet werden. Aufgrund der hohen Temperaturen auf der Kochfläche kommt es bei regelmäßigem, normalem Gebrauch zu einer dauerhaften Verfärbung der Edelstahlroste (falls vorhanden).

**Grillroste aus Gusseisen:** Die Grillroste aus Gusseisen, mit denen Ihr neuer Grill standardmäßig ausgeliefert wird, gewährleisten überdurchschnittliche Speicherung und Verteilung von Wärme. Durch regelmäßige Pflege der Grillroste mit Öl bildet sich eine Schutzschicht, die den Grillrost besser vor Korrosion schützt und auch dessen Antihaft-Eigenschaften noch weiter verbessert.

**Vor der ersten Verwendung:** Die Grillroste per Hand mit einem milden Spülmittel und Wasser reinigen, um jegliche herstellungsbedingte Rückstände zu entfernen. (Niemals in die Spülmaschine!) Sorgfältig mit heißem Wasser abspülen und mit einem weichen Tuch vollständig abtrocknen. Dies ist wichtig, um das Eindringen von Feuchtigkeit in das Gusseisen zu verhindern.

**Einbrennen:** Verwenden Sie ein weiches Tuch, um die gesamte Fläche des Grillrostes mit Pflanzenfett einzureiben. Stellen Sie sicher, dass auch alle Aussparungen und Ecken mit einer Ölschicht bedeckt sind. Verwenden Sie keine salzhaltigen Fette, wie beispielsweise Butter oder Margarine. Heizen Sie den Grill 15 Minuten vor, und platzieren Sie dann die mit Öl eingeriebenen Grillroste auf dem Grillgerät. Schließen Sie die Grillhaube, und drehen Sie das Bedienelement auf mittlere Stufe. Lassen Sie die Grillroste für ca. eine halbe Stunde bei dieser Temperatur auf dem Grill „einbrennen“. Stellen Sie dann alle Brenner auf „OFF“ (Aus), und stellen Sie die Gaszufuhr ab. Lassen Sie die Grillroste auf dem Grillgerät vollständig abkühlen. Während der Grillsaison sollte dieser Vorgang mehrere Male wiederholt werden, um die Grillroste gut einzubrennen. Es ist jedoch nicht nötig, diesen Vorgang bei jedem Gebrauch zu wiederholen (Tipps zur täglichen Pflege vor dem Grillen finden Sie untenstehend).

**Vor dem Grillen:** Reiben Sie die Oberfläche des Grillrostes vor dem Vorwärmen und Reinigen mit einer Messing-Grillbürste vollständig mit Pflanzenfett ein. Den Grill vorwärmen und alle Grillrückstände mit der Grillbürste (Messingborsten) entfernen.

**Grillroste aus Edelstahl:** (Upgrade-Kit zur Nachrüstung erhältlich – siehe Ersatzteilliste). Grillroste aus Edelstahl sind von großer Lebensdauer und rostbeständig. Sie erfordern weniger Vorbehandlung und Pflege als Grillroste aus Gusseisen. Sie sollten die obenstehenden Hinweisen zur täglichen Pflege befolgen, obwohl es u. U. ausreichend sein kann, die Grillroste nur vorzuwärmen und mit einer Drahtbürste zu reinigen.

**Bedienleiste:** Die Bedienleistenbeschriftung wird direkt auf die Edelstahloberfläche gedruckt und bei sachgerechter Pflege bleibt der Aufdruck dunkel und lesbar. Zur Reinigung der Bedienleiste warme Seifenlauge. Keine scheuernden Reinigungsmittel zur Reinigung von Edelstahlfächen verwenden. Dies kann vor allem auf der Bedienleiste zum Abrieb der aufgedruckten Beschriftung führen.

**Infrarotbrenner:** Wegen der großen Hitze des Infrarotbrenners verbrennt sofort fast alles, was vom Grillgut herunter auf die Brennerfläche fällt. Es bleiben jedoch möglicherweise Rückstände kleben. Rückstände am besten gleich nach dem Grillen verbrennen, indem der Grill 5-10 Minuten lang auf der höchsten Stufe.



**Das Innere Des Gasgrills:** Grillroste entfernen. Gusseiserne Seiten und die Innenseite der Haube mit einer weichen Messingdrahtbürste von losem Schmutz befreien. Anbratplatten mit einem Spachtel oder Schaber abkratzen, und die Asche mit einer Drahtbürste beseitigen. Anbratplatten abnehmen, und die Brenner mit einer Messingdrahtbürste reinigen. Den Schmutz aus dem Inneren des Gasgrills in die Tropfpfanne fegen. Anbratplatten wieder einsetzen und auf richtige Positionierung achten (siehe Zusammenbauanleitung).



**WARNUNG!** Fettansammlungen können zu Bränden führen.

**Tropfpfanne:** zum Reinigen herausziehen. Sie sollte nach vier- bis fünfmaligem Benutzen des Grills ausgeleert werden. Das Fett läuft durch die unter dem Gasgrill befindliche Tropfpfanne und sammelt sich in einer Einweg-Fettschale unterhalb der Tropfpfanne. Eine zu große Ansammlung von Fett stellt eine Feuergefahr dar. Tropfpfanne nicht mit Alufolie oder Sand auskleiden, da das Fett am Durchfließen gehindert wird. Pfanne mit einem Spachtel oder Schaber auskratzen; Inhalt in die Einweg-Fettschale fegen. Schale je nach Häufigkeit der Benutzung alle zwei bis vier Wochen auswechseln. Ersatzschalen gibt es beim Napoleon-Händler.

**Reinigen Der Aussenseite Des Gasgrills:** Lackierte, Porzellan- oder Rostfreistahlteile nicht mit Scheuermitteln säubern. Die Porzellanemalle ist besonders vorsichtig zu behandeln. Die Emaillebeschichtung ist wie Glas und platzt beim Anschlagen leicht ab. Außenflächen am besten in handwarmem Zustand mit warmem Seifenwasser reinigen. Rostfreistahl mit einem entsprechenden Reinigungsmittel oder einem nicht scheuernden Reinigungsmittel säubern. Stets in Strukturrichtung wischen. Keine Stahlwolle verwenden, da sie Kratzspuren hinterlässt. Rostfreistahl verfärbt sich unter Hitze goldfarben oder braun. Diese Verfärbung ist normal und beeinträchtigt die Leistung des Grills nicht.

## Wartungs Anleitung

Der Gasgrill sollte jährlich von einem zugelassenen Wartungsdienst überprüft und gewartet werden.

Brennbare Materialien, Benzin und andere brennbare Dämpfe und Flüssigkeiten müssen entfernt vom Gasgrill gelagert werden. Luftwege zur Belüftung und zum Brenner nicht blockieren. Lüftungslöcher des Gasflaschenschanks (an den Grillwagenseiten und der Vorder- und Rückseite des unteren Regalbodens) stets frei von Schmutz und Ablagerungen halten.



**VORSICHT!** Beim reinigungsanleitung sollten Arbeitshandschuhe und eine Schutzbrille getragen werden.

**VORSICHT!** Gaszufuhr vor den Wartungsarbeiten abstellen und Gerät von der Gaszufuhr trennen. Grill vor dem Warten abkühlen lassen, damit es nicht zu Verbrennungen kommt. Jährlich und nach Auswechseln eines Gasbauteils eine Leckageprüfung durchführen.

**Brenner:** sind aus dickwandigem Rostfreistahl 304 hergestellt. Wegen der extremen Hitze und der Umwelteinflüsse treten trotzdem Korrosionen auf. Korrosion der Oberflächen mit einer Messingdrahtbürste entfernen. Verstopfte Auslässe mit einer geöffneten Heftklammer freimachen. Auslässe dabei nicht vergrößern.

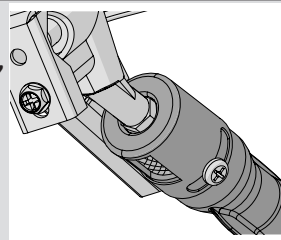
**VORSICHT!** Passen Sie Von Den Spinnen Auf



Spinnen und Insekten werden von Propan- und Erdgasgeruch angelockt. Damit sie im Brenner keine Nester bauen, ist der Lufteinlass mit einem Insektengitter versperrt, womit das Problem jedoch nicht 100%ig gelöst ist. Ein Spinnennetz oder Nest verbrennt mit einer weichgelben oder orangefarbenen Flamme, oder es kommt zu einem Feuer (Flammenrückschlag) an der Luftzufuhr unter dem Bedienbrett. Damit das Innere eines Brenners gereinigt werden kann, muss er aus dem Gasgrill ausgebaut werden. Schraube in der Mitte des Brenners lösen. Brenner am hinteren Teil nach oben und herausheben. Innere des Brenners mit einer flexiblen Spezialbürste zum Reinigen von Venturirohren säubern. Den gelösten Schmutz durch den Gaseinlass aus dem Brenner schütteln. Das Insektengitter muss sauber, dicht und frei von Fusseln und sonstigem Schmutz sein. Auch die Ventildüsen müssen sauber sein. Es ist darauf zu achten, dass die Düsen beim Reinigen nicht vergrößert werden. Brenner wieder einbauen. Beim Einbau muss die Düse in den Brenner geführt werden. Brennerabdeckung aufsetzen und Befestigungsschrauben festschrauben.



**ACHTUNG!** Bei der erneuten Installation des gereinigten Brenners unbedingt sicherstellen, dass das Ventil/die Öffnung in das Brennerrohr führt, bevor der Gasgrill angezündet wird. Wenn das Ventil sich nicht innerhalb des Brennerrohrs befindet, kann es zu Brand oder Explosion kommen.



DE

**Schutz Der Infrarotbrenner:** Die Infrarotbrenner des Grills haben normalerweise eine lange Lebensdauer. Damit diese lange Lebensdauer gewährleistet ist, muss verhindert werden, dass die Keramikbeschichtung reißt. Im Folgenden wird beschrieben, wie Rissbildung zu verhindern ist. Schäden, die wegen Nichtbeachtung dieser Hinweise auftreten, sind nicht von der Garantie gedeckt.

1. Stöße mit harten Gegenständen – Die Keramik darf nicht mit harten Gegenständen angestoßen werden. Beim Abnehmen und Einsetzen der Grillroste ist Vorsicht geboten. Fällt solch ein Gegenstand auf die Keramik, würde diese wahrscheinlich reißen.

2. Wasser und sonstige Flüssigkeiten – Wenn viel kalte Flüssigkeit mit der heißen Keramikfläche in Berührung kommt, kann diese reißen. Darum darf kein Wasser auf den Grill geschüttet werden, um ein Aufflammen zu löschen. Wenn bei abgestelltem Grill die Keramik oder das Innere eines Brenners nass wird, kann die Keramik durch den Druck des Wasserdampfs reißen, wenn der Grill wieder benutzt wird. Wiederholtes Nässen der Keramik lässt diese aufquellen und expandieren. Dieses Expandieren setzt die Keramik unter Druck, sodass sie reißen und abbröckeln kann.

i) Kein Wasser auf den Grill werfen, um ein Aufflammen zu löschen.

ii) Grill nicht im Freien betreiben, wenn es regnet.

iii) Sollte einmal Wasser im Grill stehen (z. B. durch Regen oder Sprinkler), ist zu untersuchen, ob die Keramik sich mit Wasser vollgesogen hat. Ist die Keramik nass, Brenner aus dem Grill ausbauen. Umgekehrt hinlegen, damit das Wasser ablaufen kann. Im Hause gründlich trocknen lassen.

3. Schlechte Belüftung des Grills – Die heiße Luft muss aus dem Grill entweichen können, damit die Brenner richtig funktionieren. Bei schlechter Belüftung kommt es zu Sauerstoffmangel, was zu Flammenrückschlägen führt. Wenn dies wiederholt passiert, reißt die Keramik. Darum sollte niemals mehr als 75% der Grillfläche mit Vollmetall (d.h. von einem Grillblech oder einer großen Pfanne) abgedeckt sein.



**VORSICHT!** Schlauch : auf Abrieb, Schmelzstellen, Einschnitte und Risse untersuchen. Wenn einer dieser Defekte vorliegt, darf der Gasgrill nicht benutzt werden. Schlauch von Ihrem Napoleon-Händler oder einem Fachbetrieb auswechseln lassen.

**Alugussteile:** regelmäßig mit warmem Seifenwasser säubern. Normalerweise rostet Aluminium nicht. Durch die hohen Temperaturen und die Umwelteinflüsse kann es jedoch zu einem Oxidieren der Oberfläche kommen. Dies äußert sich als weiße Flecke auf dem Guss. Gussteile säubern und mit feinem Sandpapier abschmirlen. Schmirgelstaub abwischen, und Gussteile mit temperaturbeständiger Grillfarbe lackieren. Benachbarte Teile abdecken, damit sie nicht mit Farbe besprüht werden. Gemäß Anweisung auf der Farbdose trocknen lassen.

# Fehlerbehebung

Problem	Mögliche Ursachen	Lösung
Geringe Hitze / kleine Flamme auf Stellung „High“.	Bei Propangas – die Anweisungen für das Anzünden wurden nicht befolgt.  Ungenügendes Vorheizen.	Die Anweisungen für das Anzünden genau befolgen. Alle Gasgrillventile müssen sich in der Stellung „OFF“ (Aus) befinden, wenn das Ventil für die Gaszufuhr geöffnet wird. Die Gaszufuhr langsam öffnen, um Druckausgleich zu ermöglichen. Siehe Anweisungen für das Anzünden.  Beide Hauptbrenner einschalten und Grill auf hoher Stufe 10 bis 15 Minuten vorheizen.
Übermäßiges Aufflammen/ ungleichmäßige Hitze.	Flammenschutzsätze nicht ordnungsgemäß installiert.  Ungenügendes Vorheizen.  Übermäßige Ansammlung von Fett und Asche auf den Flammenschutzsätzen und im Fett-Auffangbehälter.	Siehe Montageanweisungen.  Beide Hauptbrenner einschalten und Grill auf hoher Stufe 10 bis 15 Minuten vorheizen.  Flammenschutzsätze und Auffangbehälter regelmäßig reinigen. Auffangbehälter nicht mit Alufolie auslegen. Siehe Anweisungen für das Reinigen des Grills.
Brenner brennt mit gelber Flamme mit wahrnehmbarem Gasgeruch.	Möglicherweise ist der Brenner durch ein Spinnennetz und etwas anderes verschmutzt.	Brenner entfernen und gründlich reinigen. Siehe Anweisungen zu Wartung und Pflege.
Heckbrenner und Seitenbrenner zünden nicht mit dem Zünder, aber mit einem Streichholz.	Leere Batterie / oder nicht ordnungsgemäß installiert.  Elektrodendraht oder Schalter-Klemmdrähte locker.	Durch eine leistungsstarke Batterie ersetzen.  Überprüfen, dass Elektrodendraht sich fest in der Anschlussklemme an der Rückseite des Zünders befindet. Überprüfen Sie, ob die Anschlussdrähte vom Modul zum Zündschalter (soweit vorhanden) fest auf ihre jeweiligen Anschlussklemmen gedrückt werden.
Brenner lässt sich nicht mit dem Zünder zünden, aber mit einem Streichholz.	Jetfire-Auslass ist verschmutzt oder verstopft.	Reinigen Sie den Jetfire-Auslass mit einer weichen Bürste.
„Summender“ Druckregler.	Normales Verhalten an heißen Tagen.	Dies ist kein Defekt. Das Geräusch wird durch interne Vibrationen im Druckregler hervorgerufen und beeinträchtigt weder die Leistung noch die Sicherheit des Gasgrills. „Summende“ Druckregler werden nicht ersetzt.

Problem	Mögliche Ursachen	Lösung
Brenner entzünden sich nicht gegenseitig.	Verschmutzte oder korrodierte Halter.	Reinigen oder bei Bedarf ersetzen.
Haubeninnenseite sieht aus, als ob „Farbe“ abblättert.	Fettansammlung auf den Innenseiten.	Dies ist kein Defekt. Die Hauben haben ein Porzellan-Finish, das nicht abblättern kann. Das Abblättern wird durch hart gewordenes Fett hervorgerufen, das zu farbähnlichen Splintern trocknet, die abblättern können. Dies kann durch regelmäßiges Reinigen verhindert werden. Siehe Anweisungen für das Reinigen.
Brennerleistung auf Stufe „High“ ist zu niedrig. (Rumpelnde Geräusche und flatternde blaue Flamme an der Brenneroberfläche.)	Zu wenig Gas.  Zufuhrschlauch ist eingeklemmt.  Schmutzige oder verstopfte Öffnung.  Spinnweben oder anderes Material in der Venturidüse.	Kontrollieren Sie den Gasstand in der Propangasflasche.  Zufuhrschlauch falls nötig neu positionieren.  Brennerauslass reinigen.  Venturidüse reinigen.
Der Infrarotbrenner (falls vorhanden) „blitzt auf“ (während des Betriebs macht der Brenner ein lautes „Wusch“-Geräusch, gefolgt von einem kontinuierlichen, schweißbrennerähnlichen Geräusch und hört dann auf zu glühen.)	Keramische Fliesen mit Bratenfett und Ablagerungen überfrachtet. Anschlüsse sind verstopft.  Brenner überhitzt aufgrund unzureichender Belüftung (die Grillfläche ist weitgehend mit Pfannen oder Töpfen abgedeckt).  Risse oder Sprünge in der keramischen Oberfläche.  Dichtung der keramischen Oberfläche ist undicht, oder fehlerhafte Schweißnaht im Brennergehäuse.	Brenner abstellen und für mindestens zwei Minuten abkühlen lassen. Brenner erneut zünden und für mindestens fünf Minuten auf hoher Flamme betreiben, oder bis die keramischen Oberflächen gleichmäßig glühen.  Sicherstellen, dass nicht mehr als 75 % der Grillfläche mit Objekten oder Zubehör zugedeckt ist. Brenner abstellen und für mindestens zwei Minuten abkühlen lassen, dann erneut anzünden.  Brenner abkühlen lassen und sorgfältig auf Risse untersuchen. Falls Sie Risse feststellen sollten, wenden Sie sich an einen autorisierten Napoleon-Händler, um eine Ersatz-Brennereinbaugruppe zu bestellen.  Wenden Sie sich an einen autorisierten Napoleon-Händler, um Informationen zur Bestellung einer Ersatz-Brennereinbaugruppe zu erhalten.

## **RECHNUNG/KASSENBON ALS KAUFBELEG FÜR GARANTIEANFRAGEN AUFBEWAHREN**

# **ERSATZTEILBESTELLFORMULAR**

## **GARANTIEINFORMATIONEN**

MODELL: \_\_\_\_\_

KAUFDATUM: \_\_\_\_\_

SERIENNUMMER: \_\_\_\_\_

### ***(Speichern Sie diese Informationen hier als künftige Referenz)***

Für Ersatzteile und Garantieanfragen, kontaktieren Sie Ihren Napoleonhändler, bei dem das Produkt gekauft wurde.

Vor Sie Ihren Händler kontaktieren, lesen Sie bitte die Napoleon Grills Website, um mehr über Reinigung, Wartung, Troubleshooting und Ersatzteilmontage zu erfahren: [www.napoleongrills.de](http://www.napoleongrills.de).

Um eine Reklamation einzureichen, sind folgende Unterlagen erforderlich:

1. Typenbezeichnung und Seriennummer des Geräts.
2. Artikelnummer und -Bezeichnung.
3. Bündige Problembeschreibung („defekt“ reicht nicht aus).
4. Kaufbeleg (Rechnungskopie, Kopie des Kassenbons).

Napoleon behält sich das Recht vor, als Voraussetzung für Ersatzteile, den Rückversand reklamierter Teile zu beantragen.

Bitte beachten Sie, vor Sie Ihren Händler kontaktieren, dass folgende Items keine Garantiegründe darstellen:

- Versand-, Zoll- oder sonstige Gebühren.
- Montagearbeit und -Kosten.
- Kommunikationskosten, um eine (Fern-)Diagnose zu stellen.
- Edelstahlverfärbungen.
- Schäden verursacht durch mangelnde Reinigung und Wartung, oder die Anwendung ungeeigneter Reinigungsmittel (Ofenreiniger oder abrasiver Chemikalien).



**CAUTION!** During unpacking and assembly we recommended you wear work gloves and safety glasses for your protection. Although we make every effort to make the assembly process as problem free and safe as possible, it is characteristic of fabricated steel parts that the edges and corners might be sharp and could cause cuts if handled incorrectly.



### Getting Started

1. Remove all cart panels, hardware, and grill head from carton. Raise lid and remove any components packed inside. Use the parts list to ensure all necessary parts are included.
2. Do not destroy packaging until the grill has been fully assembled and operates to your satisfaction.
3. Assemble the grill where it is to be used, lay down cardboard or a towel to protect parts from being lost or damaged while assembling.
4. **Most stainless steel parts are supplied with a protective plastic coating that must be removed prior to using the grill. The protective coating has been removed from some of the parts during the manufacturing process and may have left behind a residue that can be perceived as scratches or blemishes. To remove the residue, vigorously wipe the stainless steel in the same direction as the grain.**
5. Follow all instructions in the order that they are laid out in this manual.
6. Two people are required to lift the grill head onto the assembled cart.



If you have any questions about assembly or grill operation, or if there are damaged or missing parts please call our Customer Solutions Department at 1-866-820-8686 between 9 AM and 5 PM (Eastern Standard Time).



**ACHTUNG!** Wir empfehlen beim Entpacken des Geräts und bei der Montage Arbeitshandschuhe und eine Schutzbrille zu tragen. Wir unternehmen alle Anstrengungen, den Montageprozess so problemlos und sicher wie möglich zu machen, doch bearbeitete Stahlteile haben üblicherweise scharfe Kanten und Ecken, die zu Schnittverletzungen führen können, wenn sie während der Montage unsachgemäß gehandhabt werden.



### Erste Schritte

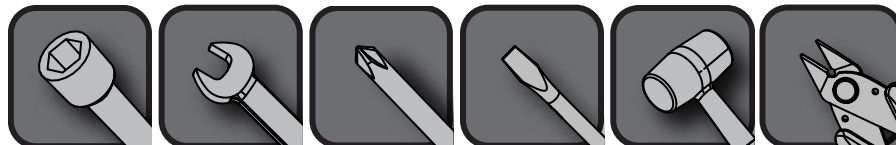
1. Alle Paneele für den Wagen, Hardware und Grilleinsatz aus dem Karton entnehmen. Haube öffnen und alle darin verpackten Komponenten entnehmen. Anhand der Stückliste sicherstellen, dass alle nötigen Teile vorhanden sind.
2. Zerstören Sie die Verpackung nicht, bevor der Grill vollständig montiert ist und zu Ihrer Zufriedenheit funktioniert.
3. Den Grill an der Stelle montieren, wo er verwendet werden soll. Legen Sie Pappe oder ein Handtuch zurecht, um während der Montage keine Teile zu verlegen oder zu beschädigen.
4. **Die meisten Edelstahl-Komponenten sind mit einer Plastik-Schutzfolie überzogen, die vor dem ersten Gebrauch des Grills entfernt werden muss. An manchen Stellen wurde die Schutzfolie bereits während des Produktionsprozesses entfernt und kann Rückstände hinterlassen haben, die wie Fehler oder Kratzer im Material aussehen. Um diese Rückstände zu entfernen, wischen Sie einfach mit sanftem Druck in Richtung der Maserung des Materials.**
5. Folgen Sie allen Anweisungen in diesem Handbuch in der angegebenen Reihenfolge.
6. Zwei Personen sind erforderlich, um den Grillaufsatz auf den montierten Wagen zu setzen.



Bei Fragen zur Montage oder zum Betrieb des Grills, oder bei beschädigten oder fehlenden Teilen, wenden Sie sich an unseren Kundendienst unter +1-866-820-8686 zwischen 9 Uhr und 15 Uhr Eastern Standard Time.

### Tools required for assembly (tools not included)

### Erforderliche Werkzeuge für die Montage (Werkzeuge nicht enthalten)



3/8" (10mm)

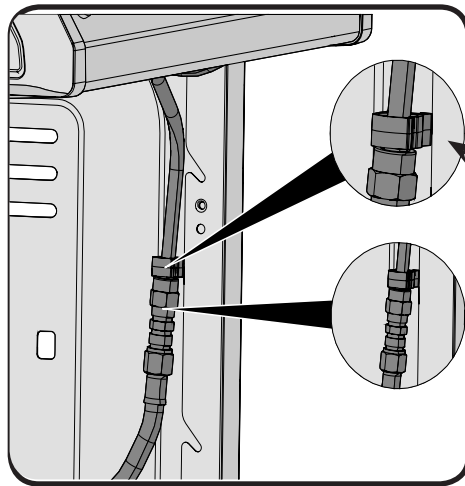
## Proper Hose Connection (Propane)

### Ordnungsgemäßer Schlauchanschluss (Propan)



**WARNING!** Ensure the hose does not contact any high temperature surfaces, or it may melt and leak causing a fire.

**WARNUNG!** Den Schlauch von heißen Oberflächen fernhalten. Schmelzen des Schlauchs kann zu Bränden führen.



1 x N160-0041

**WARNING!** Clip hose to side panel using hose retainer clip supplied. Failure to follow these instructions could result in property damage, personal injury or death.

**WARNUNG!** Schlauch Mit Dem Mitgelieferten Schlauchhalterclip Am Seitenpanel Befestigen.

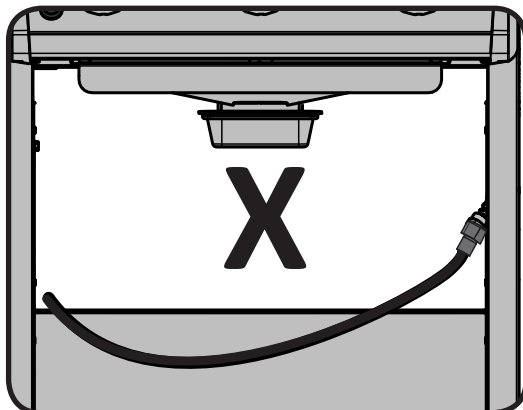


**WARNING – FIRE HAZARD**  
**ACHTUNG – FEUERGEFAHR**



**WARNING!** Do not route hose underneath drip pan.

**WARNUNG!** Schlauch nicht unterhalb der Auffangschale verlegen.



**WARNING!** Ensure the hose does not contact any high temperature surfaces, or it may melt and leak causing a fire.

**WARNUNG!** Den Schlauch von heißen Oberflächen fernhalten. Schmelzen des Schlauchs kann zu Bränden führen.

# Cylinder Connection / Flaschenanschluss

**NOTE!** Some regulator hoses contain a nut and a left hand thread, and others must press ON to connect and OFF to detach. Follow the instructions provided below for the appropriate regulator hose.

**HINWEIS!** Einige Druckminderer-Schlauch-Sets haben eine Mutter und ein Linksgewinde, während bei anderen ON zum Anschluss und OFF zum Abtrennen gedrückt werden muss. Bitte beachten Sie die untenstehenden Anweisungen für das jeweilige Modell.

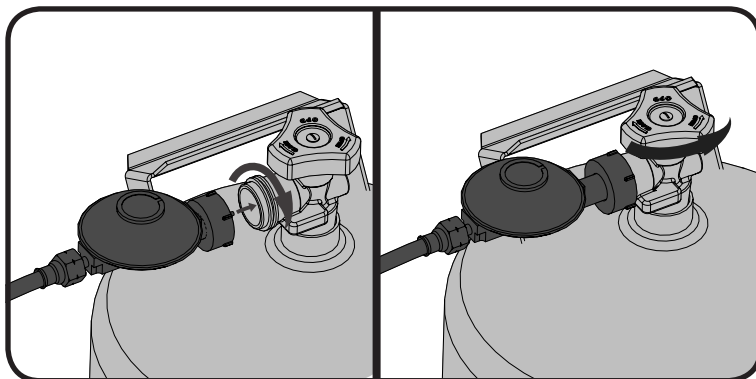


FIG. 1

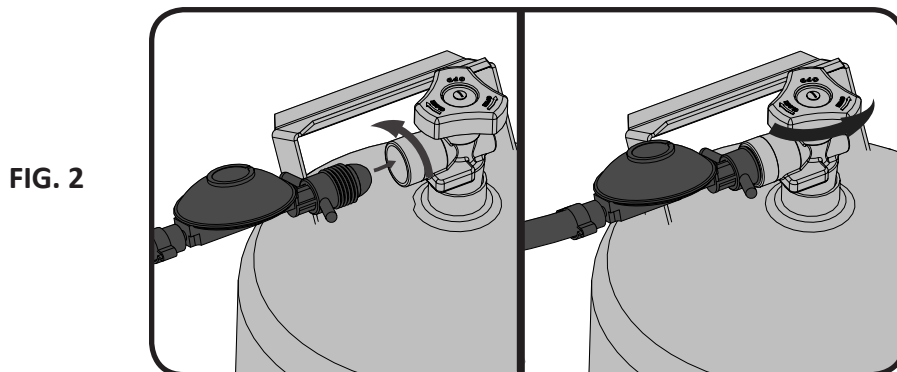


FIG. 2

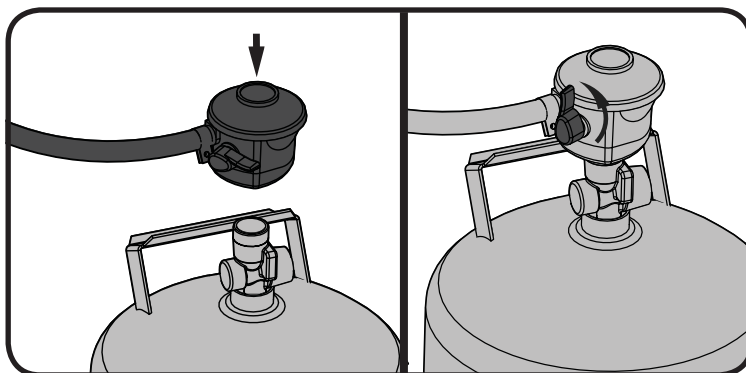


FIG. 3

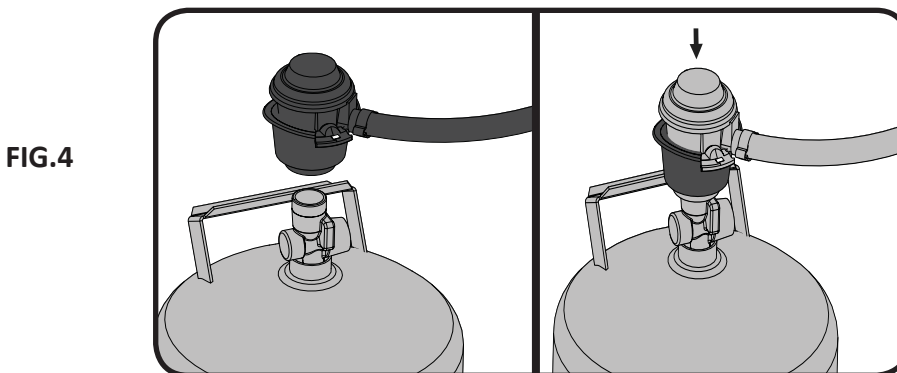


FIG. 4



# Leak Testing Instructions



**WARNING!** A leak test must be performed annually and each time a cylinder is hooked up or if a part of the gas system is replaced.



**WARNING!** Never use an open flame to check for gas leaks. Be certain no sparks or open flames are in the area while you check for leaks. Sparks or open flames will result in a fire or explosion, damage to property, serious bodily injury, or death.



**Leak testing:** This must be done before initial use, annually, and whenever any gas components are replaced or serviced. Do not smoke while performing this test, and remove all sources of ignition. See Leak Testing Diagram for areas to check. Turn all burner controls to the off position. Turn gas supply valve on.

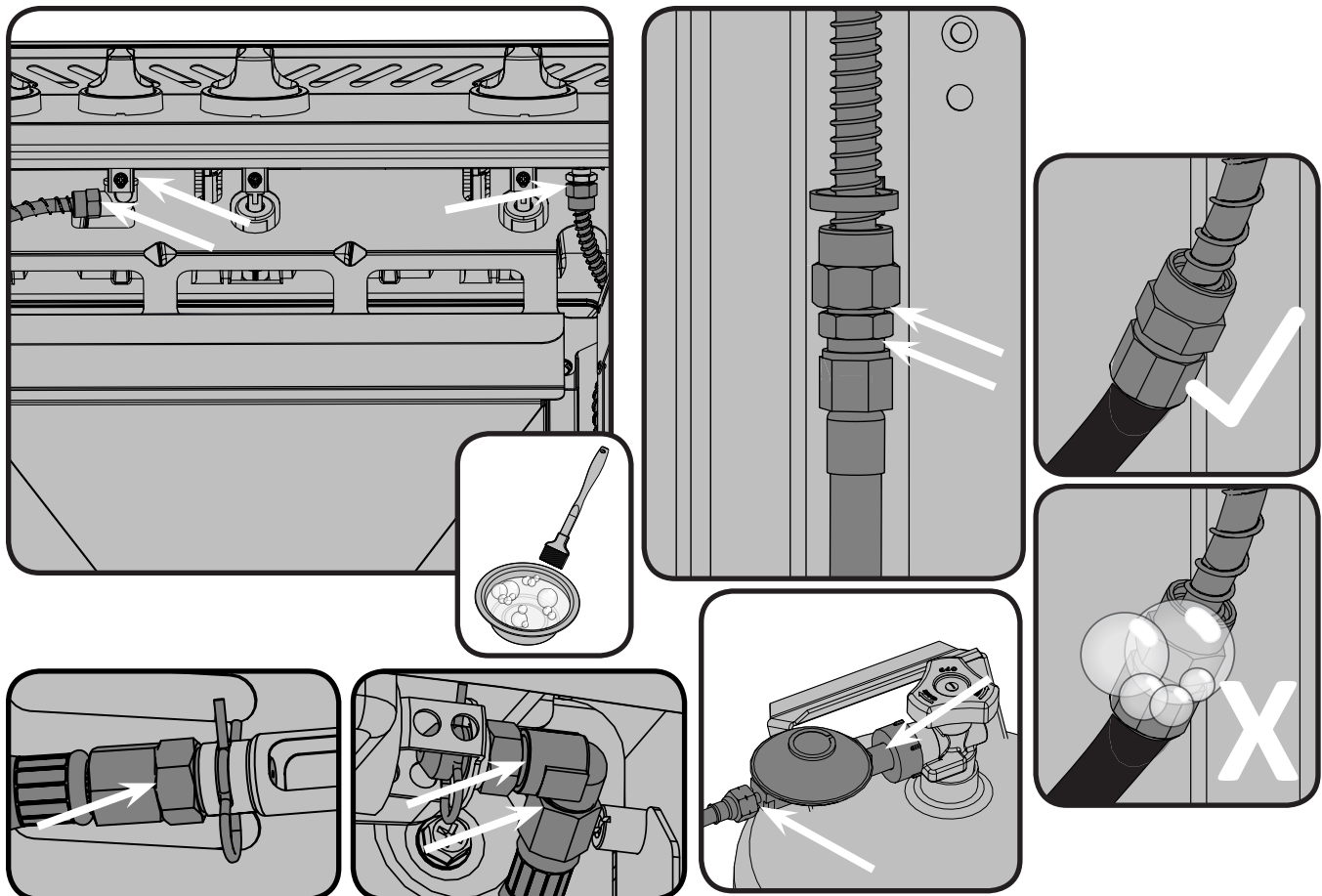


Brush a half-and-half solution of liquid soap and water onto all joints and connections of the regulator, hose, manifolds and valves.



Bubbles will indicate a gas leak. Either tighten the loose joint or have the part replaced with one recommended by the Napoleon Customer Solutions department and have the grill inspected by a certified gas installer.

If the leak cannot be stopped, immediately shut off the gas supply, disconnect it, and have the grill inspected by a certified gas installer or dealer. Do not use the grill until the leak has been corrected.



# Anleitung Für Die Leckageprüfung



**ACHTUNG!** Ein Leckagetest muss vor der ersten Benutzung, jährlich und nach Auswechseln oder Warten eines Gasbauteils durchgeführt werden.



**ACHTUNG!** Während der Prüfung ist Rauchen verboten. Alle Zündquellen sind zu entfernen.



**Leckageprüfung:** Ein Leckagetest muss vor der ersten Benutzung, jährlich und nach Auswechseln oder Warten eines Gasbauteils durchgeführt werden. Während der Prüfung ist Rauchen verboten. Alle Zündquellen sind zu entfernen. Die zu prüfenden Stellen sind auf der *Leckageprüfzeichnung* aufgeführt.

Alle Brenner abstellen. Flaschenventil aufdrehen.

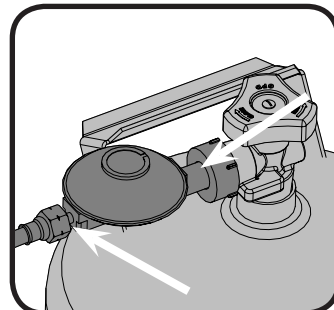
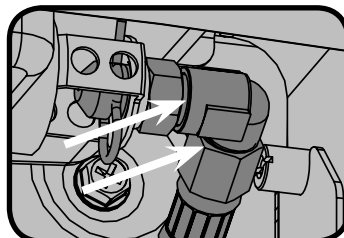
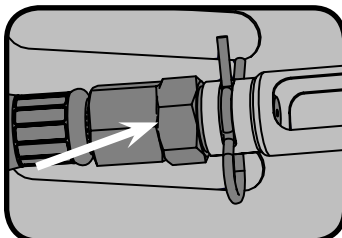
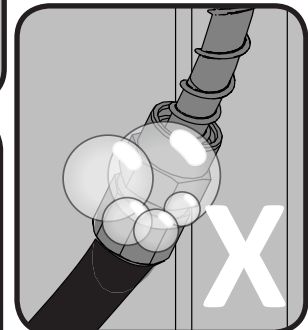
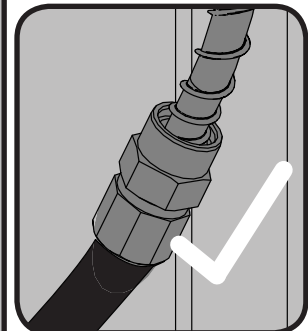
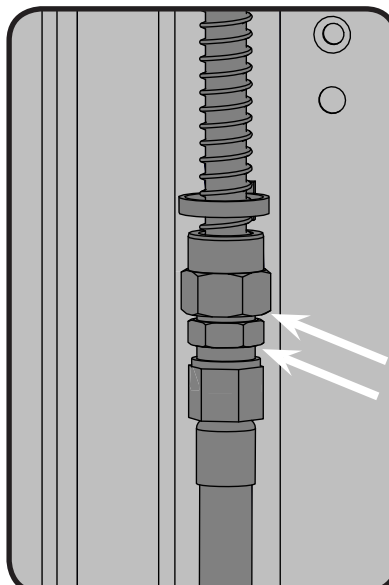
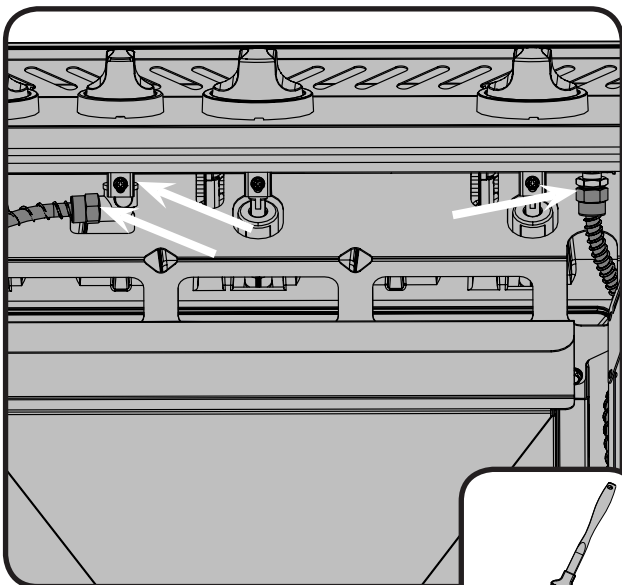


Seifenwasser (halb Wasser, halb Flüssigseife) auf alle Anschlüsse und Verbindungen an Regler, Schlauch, Verteiler und Ventile auftragen.



Leckagen werden durch Blasenbildung angezeigt. Leckage durch Festdrehen des Anschlusses oder Austausch des Teils durch ein vom Händler empfohlenes Teil beseitigen.

Bleibt die Leckage bestehen, Flaschenventil zudrehen, Regler abnehmen und Grill vom Gaslieferanten oder Händler untersuchen lassen. Das Gerät darf erst wieder benutzt werden, wenn die Leckage behoben ist. Gaszufuhr abstellen.



**PARTS LIST 365 / 365SB / R365SIB**

Item	Part #	Description	R365	R365SB	R365SIB
1	N520-0042-BK2GL	warming rack porcelain	x	x	
	N520-0043	warming rack chrome			x
2	S83015	cast cooking grid kit	x	x	
	S83016	stainless cooking grid kit			x
3	S87001	burner & sear plate kit	x	x	x
4	S87016	cross light bracket kit	x	x	x
5	N200-0126-GY1SG	back cover	x	x	x
6	N475-0091	rotisserie bracket	ac	ac	ac
7	N010-1030-SER	base casting assembly 365	x	x	x
8	N710-0062	grease tray aluminium	x	x	x
	N185-0001	grease tray liner	ac	ac	ac
9	N710-0107	drip pan	x	x	x
10	N160-0033-GY1SG	grease tray holder	x	x	x
11	N080-0364	bracket side shelf "A"	x	x	x
12	N430-0002	magnetic catch	x	x	x
13	N080-0365	bracket side shelf "B"	x	x	x
14	N475-0442-GY1SG	rear cart enclosure panel	x	x	x
15	N080-0378-GY1SG	bracket, pivot	x	x	x
16	N475-0356-GY1SG	left/right cart enclosure panel	x	x	x
17	N080-0380-GY1SG	magnet bracket	x	x	x
18	N655-0205	propane tank support	x	x	x
19	N590-0278-GY1SG	bottom shelf	x	x	x
20	N510-0015	caster plug	x	x	x
21	S82001	caster kit	x	x	x
22	N590-0254-SER	assembly stainless steel side shelf	x	x	x
	N590-0280-SER	assembly black side shelf			
23	S87015	shelf pivot hardware kit	x	x	x
24	N010-0959-SER	black cart door kit	x		
	N010-0960-SER	stn stl cart door kit		x	x
25	N325-0094	door handle	x	x	x
26	N105-0011	door bushings	x	x	x
27	N010-0962	assembly lid - stainless		x	x
	N010-0961	assembly lid - black	x		x
28	S91003	temperature gauge kit	x	x	x
29	N385-0307-SER	NAPOLEON logo	x	x	x
30	N510-0013	black silicone lid bumper	x	x	x
31	S87014	lid pivot hardware kit	x	x	x
32	N010-1012-SER	control panel assembly 365 CE 30mbar	x		
	N010-1013-SER	control panel assembly 365 CE 37mbar	x		
	N010-1014-SER	control panel assembly 365 CE 50mbar	x		
	N010-1015-SER	control panel assembly flame side burner 365 CE 30mbar		x	
	N010-1016-SER	control panel assembly flame side burner 365 CE 37mbar		x	
	N010-1017-SER	control panel assembly flame side burner 365 CE 50mbar		x	

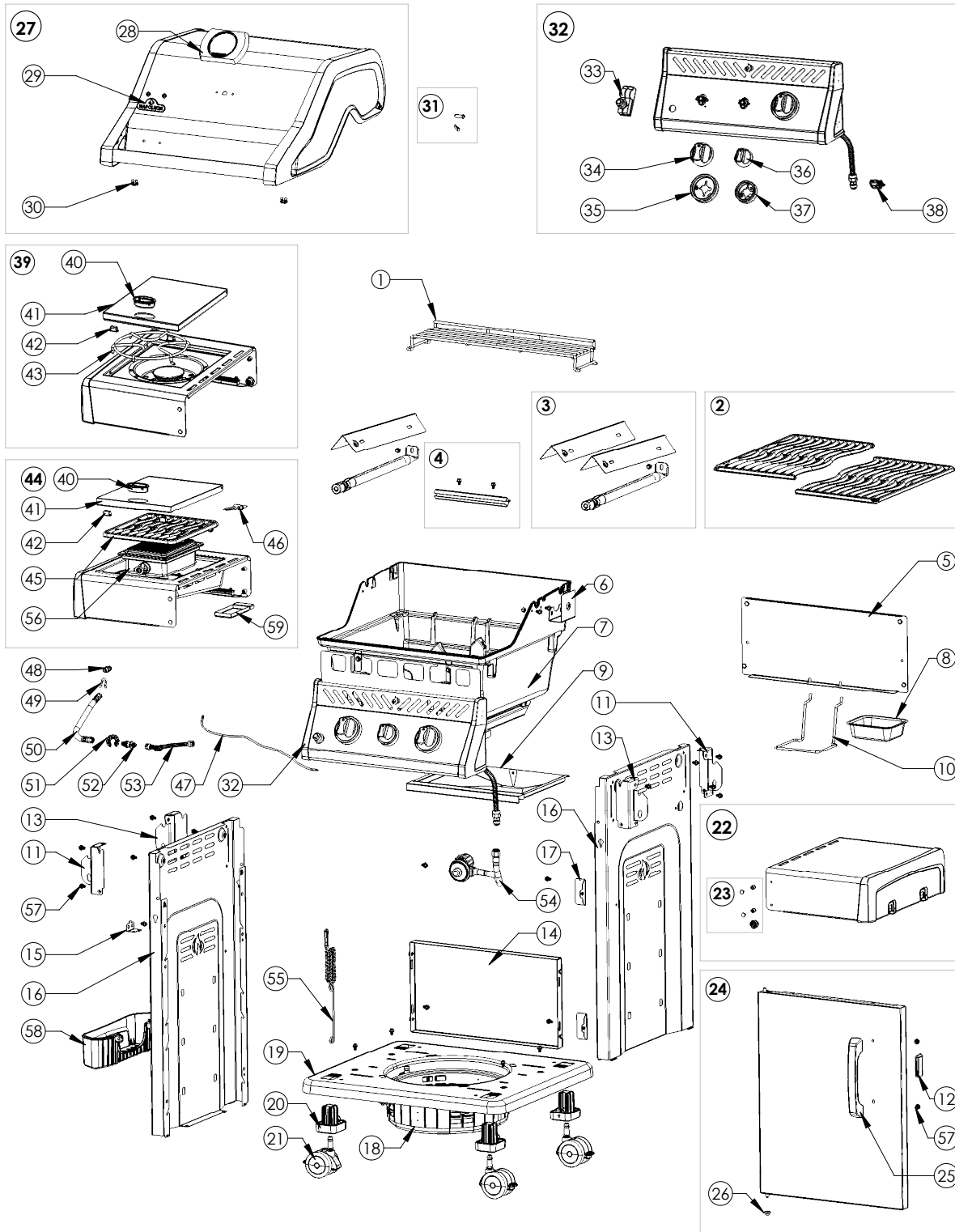
**PARTS LIST 365 / 365SB / R365SIB**

Item	Part #	Description	R365	R365SB	R365SIB
	N010-1018-SER	control panel assembly infrared burner 365 CE 30mbar			x
	N010-1019-SER	control panel assembly infrared burner 365 CE 37mbar			x
	N010-1020-SER	control panel assembly infrared burner 365 CE 50mbar			x
33	S86002	electronic ignition - 1 spark	x	x	x
34	S88005	burner control knob large	x	x	x
35	S86001	control knob bezel large	x	x	x
36	S88006	control knob small		x	x
37	N051-0012	control knob bezel small		x	x
38	N160-0041	flex line clip		x	x
39	N010-1006-SER	assembly flame side burner		x	
40	Z325-0013	handle side burner lid		x	x
41	Z335-0007	side burner lid		x	x
42	Z430-0002	magnetic catch		x	x
43	Z305-0008	side burner grate		x	
44	N010-1007-SER	assembly infrared side burner			x
45	N305-0098	side burner grate			x
46	N240-0037	side burner electrode		x	x
47	N750-0016	electronic ignition lead		x	x
48	N455-0091	side burner orifice 0.86mm 30mbar		x	x
	N455-0057	side burner orifice #66 37mbar		x	x
	N455-0058	side burner orifice #69 50mbar		x	x
49	N160-0023	side burner hose orifice retainer clip		x	x
50	N345-0022	hose side burner 7"			x
	N345-0023	hose side burner 12"		x	
51	N105-0017	bushing		x	x
52	Z255-0002-1	fitting side burner hose		x	x
53	Z720-0003	flex hose 11.5"		x	x
54	N530-0032	regulator -Germany	x	x	x
	N530-0033	regulator -Holland	x	x	x
	N530-0034	regulator -Spain/Finland/Norway/Denmark	x	x	x
	N530-0035	regulator -Sweden	x	x	x
	N530-0036	regulator -Italy	x	x	x
	N530-0037	regulator -United Kingdom	x	x	x
	N530-0038	regulator -France	x	x	x
	N530-0039	regulator -Hungary	x	x	x
	N530-0042	regulator -Switzerland	x	x	x
	N530-0043	regulator -Russia	x	x	x
	N530-0044	regulator -Poland	x	x	x
	N530-0046	regulator -Czech Republic	x	x	x
55	N555-0025	lighting rod	x	x	x
56	S81004	infrared service kit			x
57	N570-0118	1/4-20 x 3/8" screw	x	x	x
58	N590-0261	condiment basket	ac	ac	x

**PARTS LIST 365 / 365SB / R365SIB**

Item	Part #	Description	R365	R365SB	R365SIB
59	N710-0095	side burner drip tray			x
	62050	Burner & Jetfire maintenance kit	x	x	x
	69811	rotisserie kit	ac	ac	ac
	61365	cover	ac	ac	ac
	56365	griddle	ac	ac	ac
	56018	stainless steel griddle	ac	ac	ac
	67732	charcoal tray	ac	ac	ac
	62007	grease trays foil (5 pieces)	ac	ac	ac

x - standard      ac - accessory

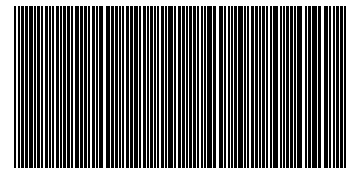


**Notes**





Napoleon products are protected by one or more U.S. and Canadian and/or foreign patents or patents pending.  
Les produits de Napoléon sont protégés par un ou plusieurs brevets américains, canadiens et (ou) étrangers ou par des brevets en instance.



N415-0440CE-GB-DE